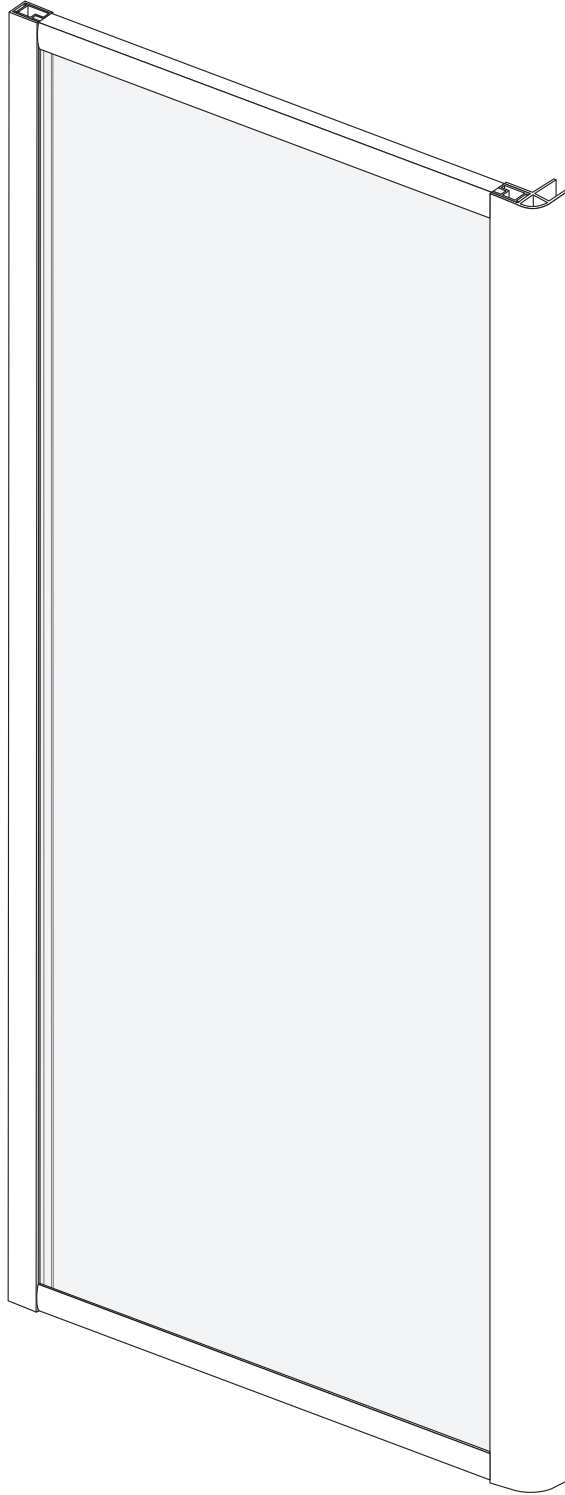


HX-516

Installation instructions



SIZE: 70*185 cm
80*185 cm
90*185 cm

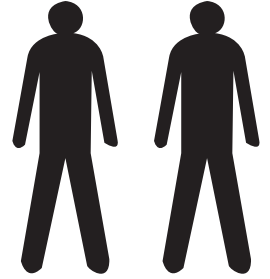
HX-516

Installation instructions

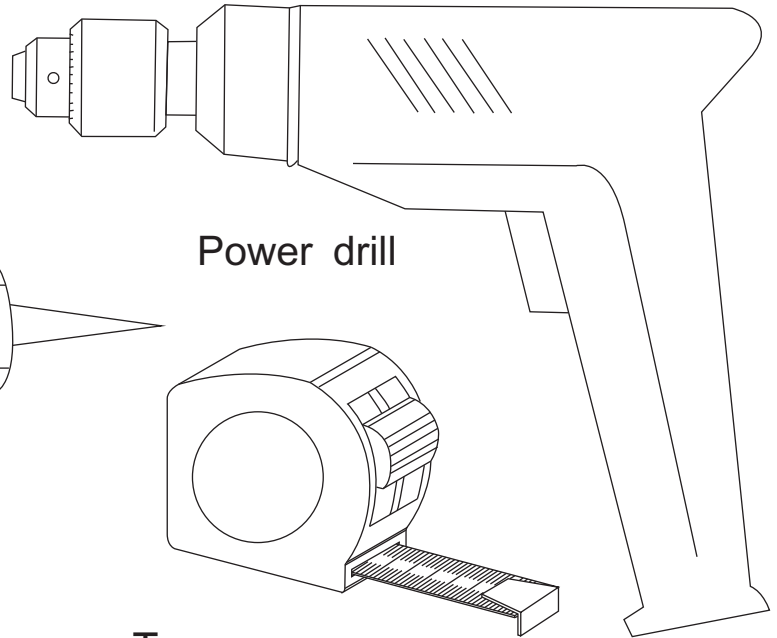
TOOLS REQUIRED(NOT SUPPLIED)

when you're ready to start,make sure that you have the following tools to hand,plenty of space and a clean dry area for assembly.

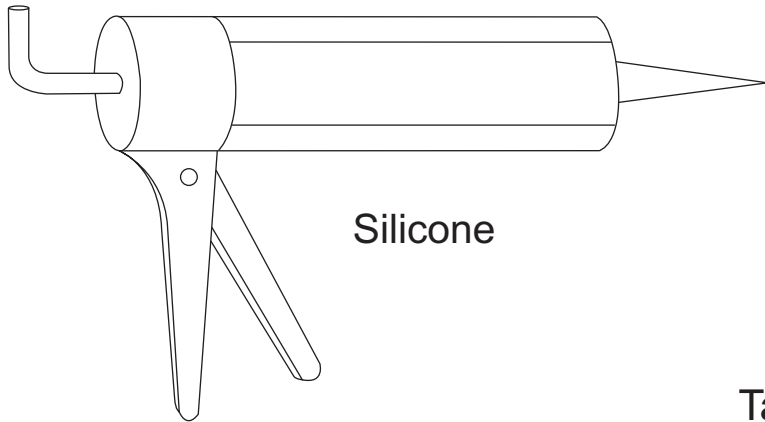
Two people are needed. Please note:although these instructions are comprehensive,We always recommend that a technically competent installer should undertake installation.



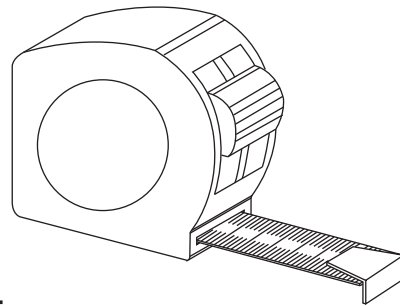
Drill bit to suit wall type
5.5mm



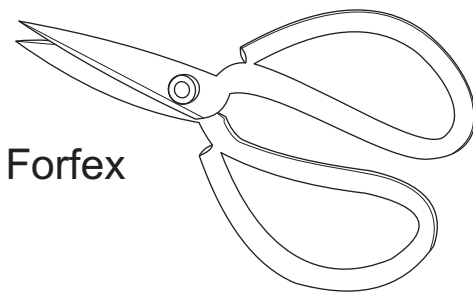
Power drill



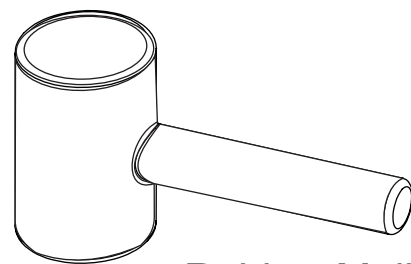
Silicone



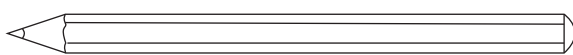
Tape measure



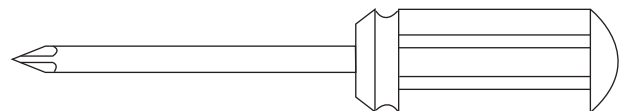
Forfex



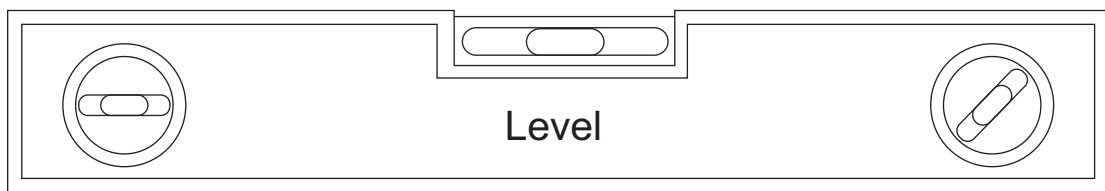
Rubber Mallet



Pencil



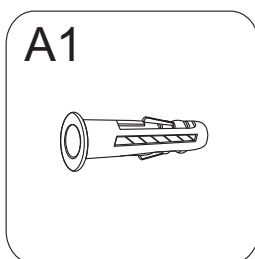
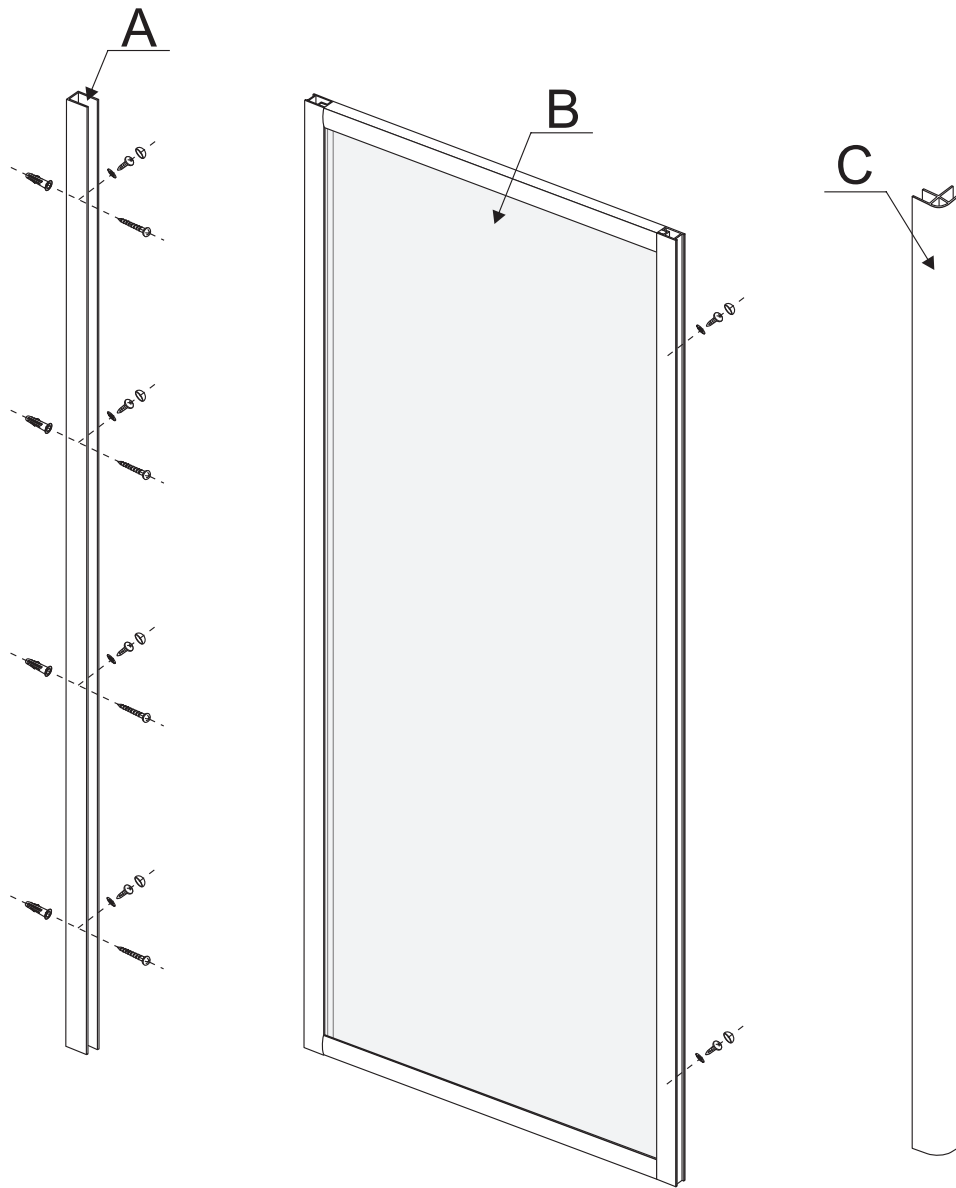
Magnetic cross head screw driver



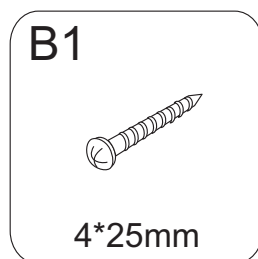
Level

HX-516

Installation instructions

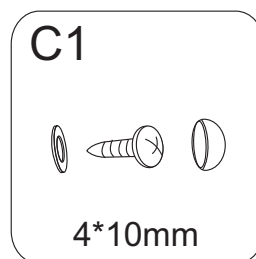


4PCS



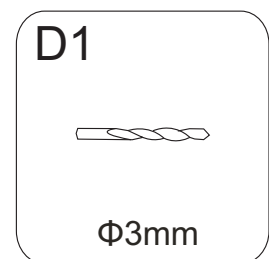
4*25mm

4PCS



4*10mm

6PCS

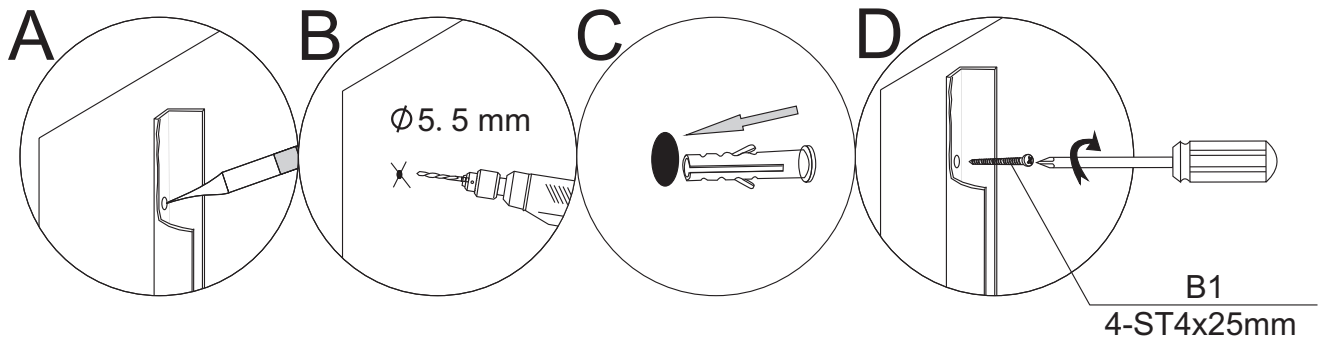
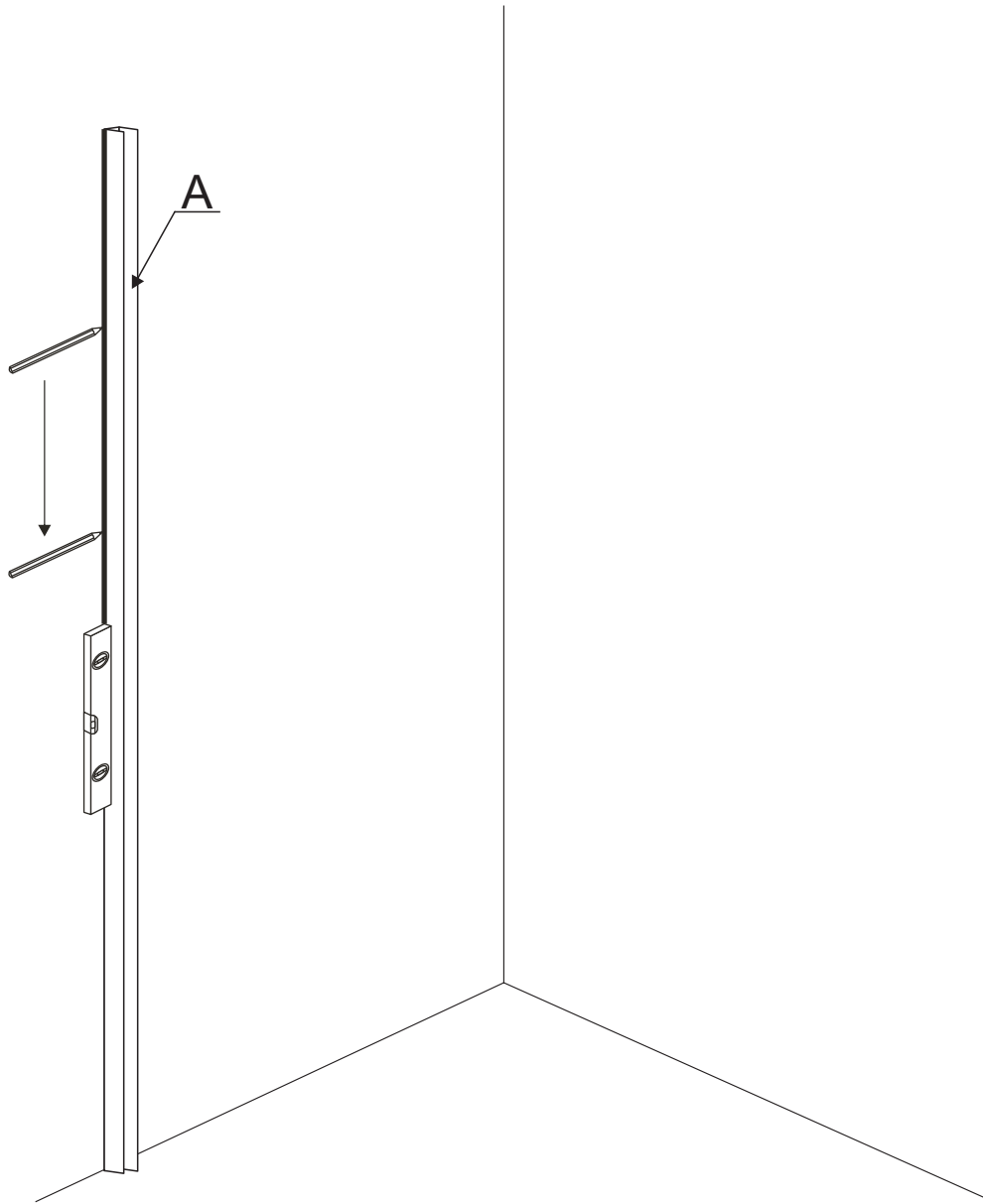


Φ3mm

1PCS

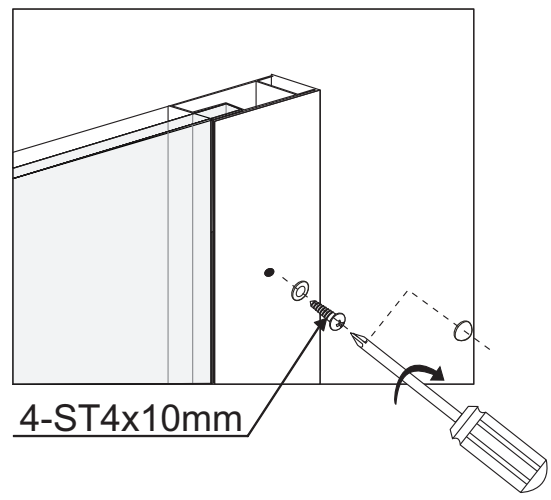
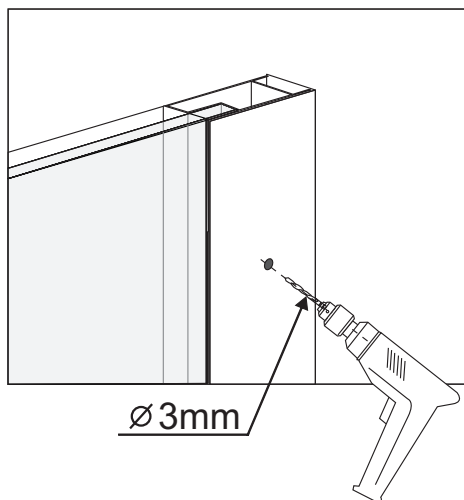
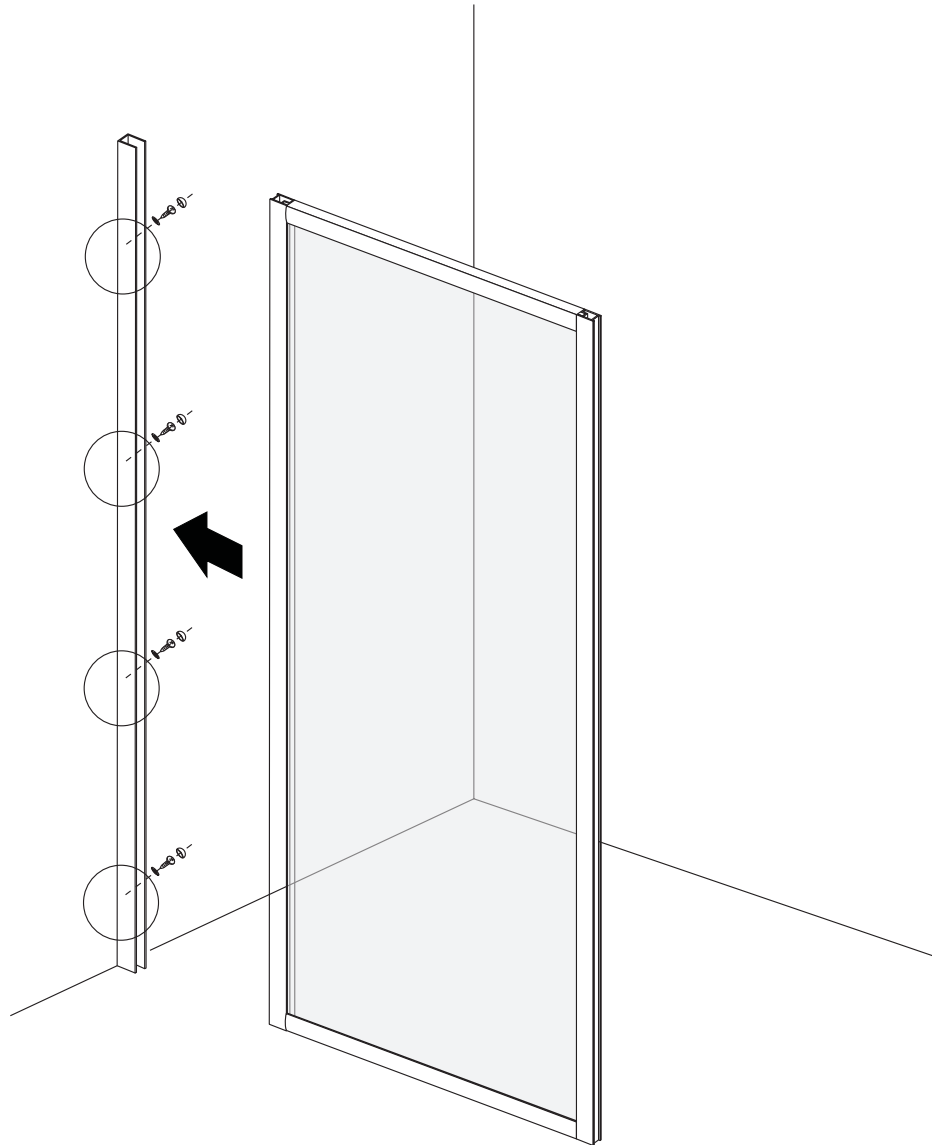
HX-516

Installation instructions



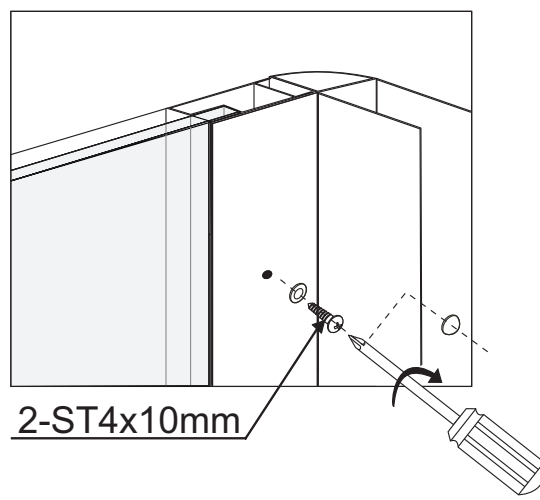
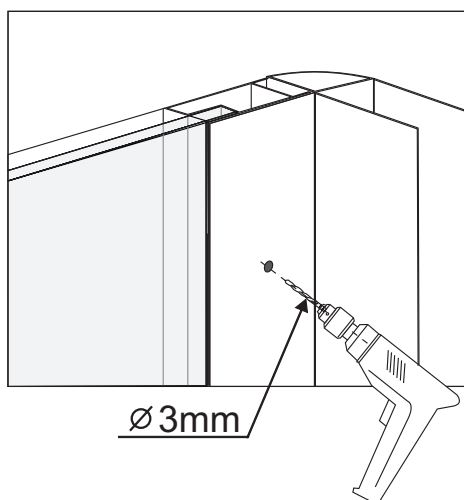
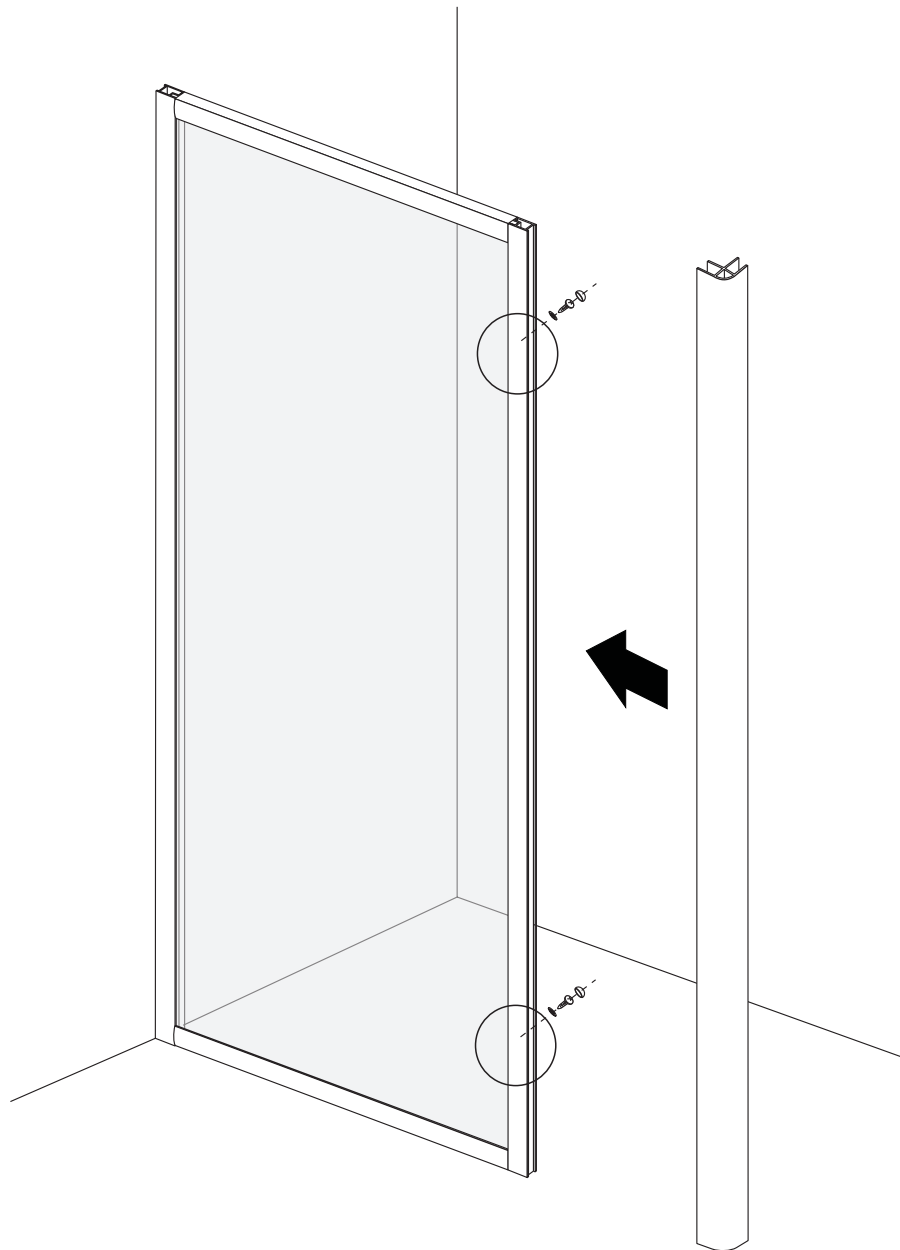
HX-516

Installation instructions



HX-516

Installation instructions



HX-516

Installation instructions

