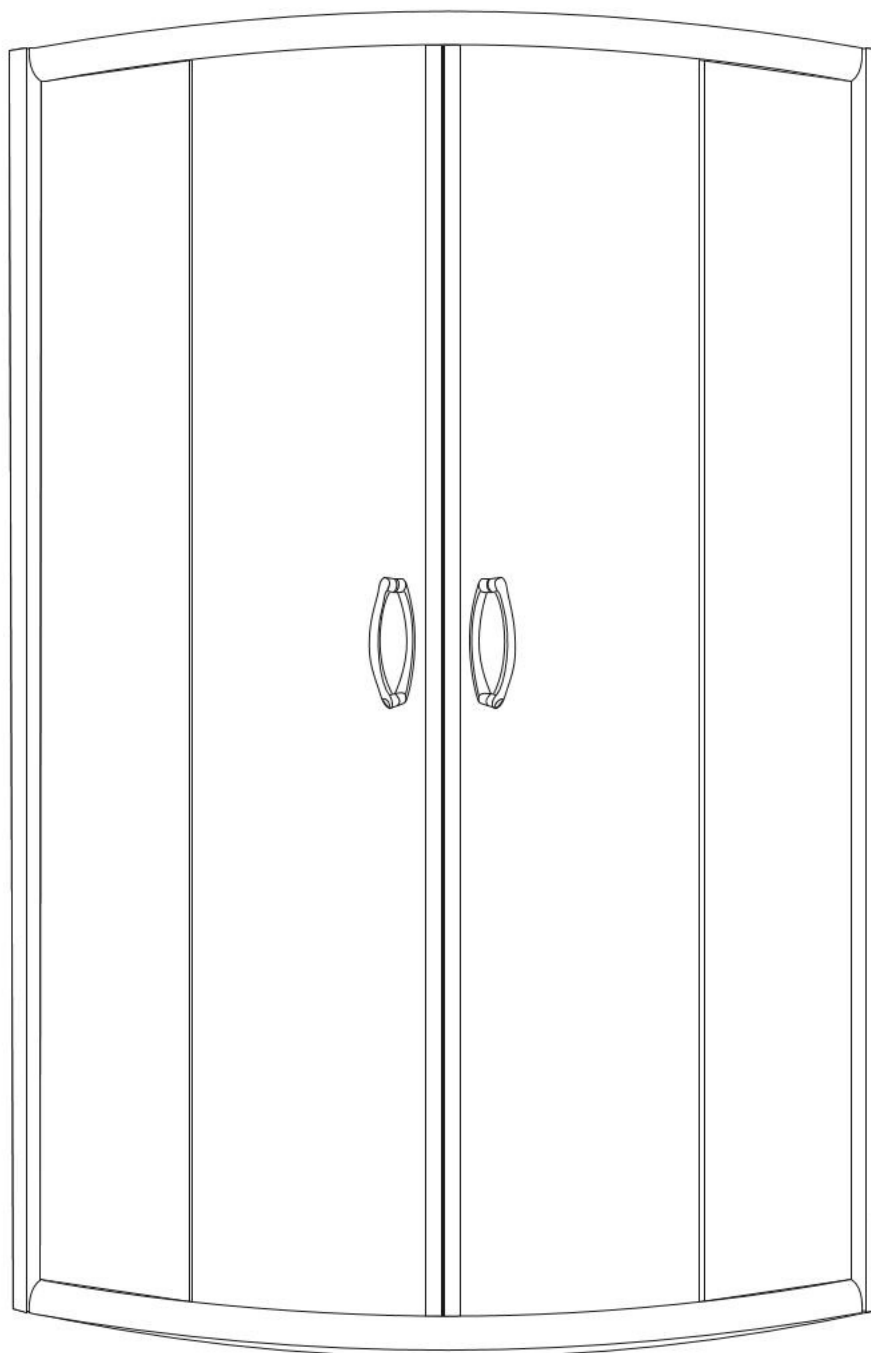
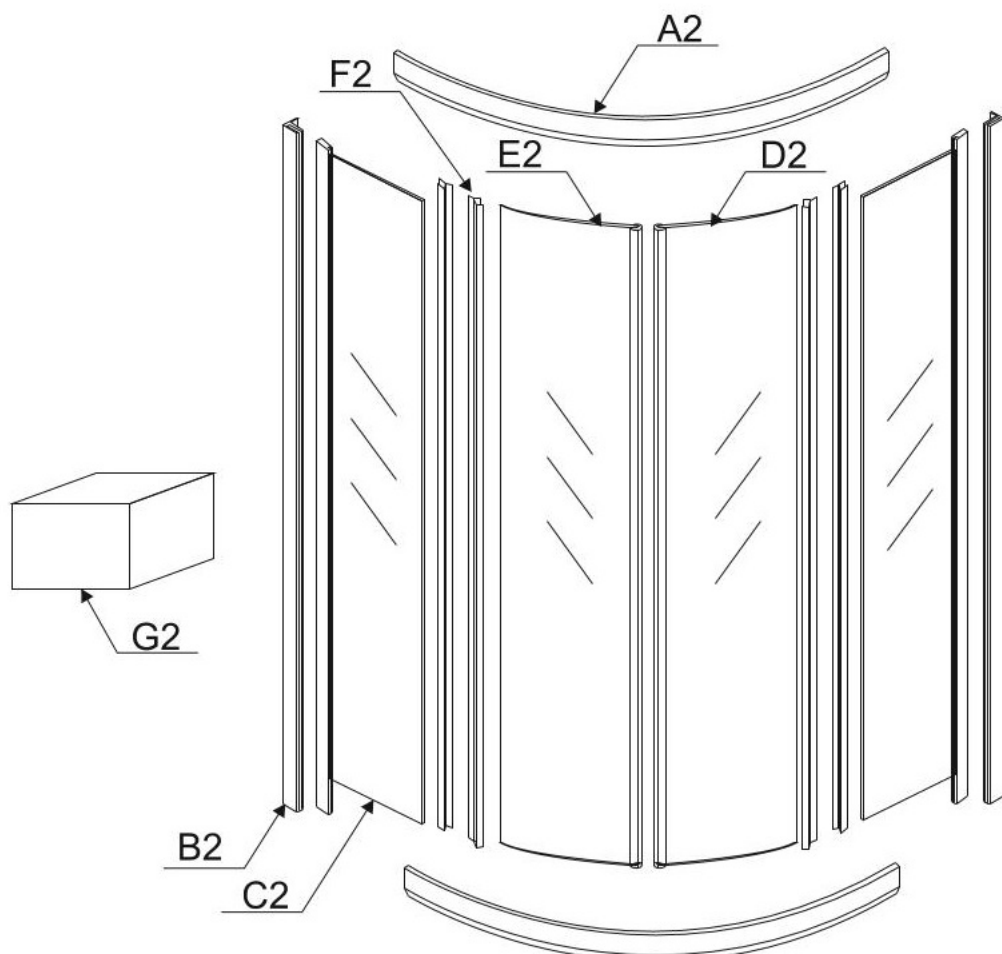


USE INSTRUCTION HANDBOOK

ISTRUZIONI DI MONTAGGIO



LUNA



G2 Fixing kit includes

Ref	Description	Qty
A2	ARC PROFILE	2
B2	WALL PROFILE	2
C2	SIDE PANEL	2
D2	RIGHT SLIDING DOOR	1
E2	LEFT SLIDING DOOR	1
F2	VERTICAL SEAL FOR FIXED GLASS	4
G2	FIXING KIT	1

Ref	Description	Illustration	Qty
A3	handle		2
B3	Top-wheel		4
C3	Down-wheel		4
D3	u-shaped clip		4
E3	stainless steel screws: 3.5*35mm		8
F3	stainless steel screws: 4*25mm		8
G3	stainless steel screws: 4*10mm small head		4
H3	stainless steel screws: 4*10mm big head		8
I3	expandable wall plug		8
J3	Drill beat head 3mm		1
K3	Washer for wheel		8



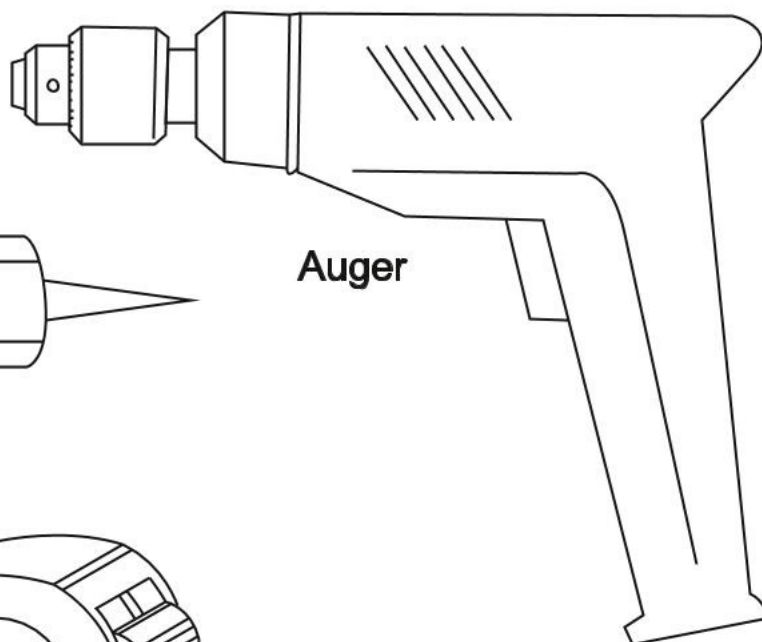
TOOLS REQUIRED(NOT SUPPLIED)

when you're ready to start,make sure that you have the following tools to hand,plenty of space and a clean dry area for assembly.

Two people are needed. Please note:although these instructions are comprehensive,We always recommend that a technically competent installer should undertake installation.

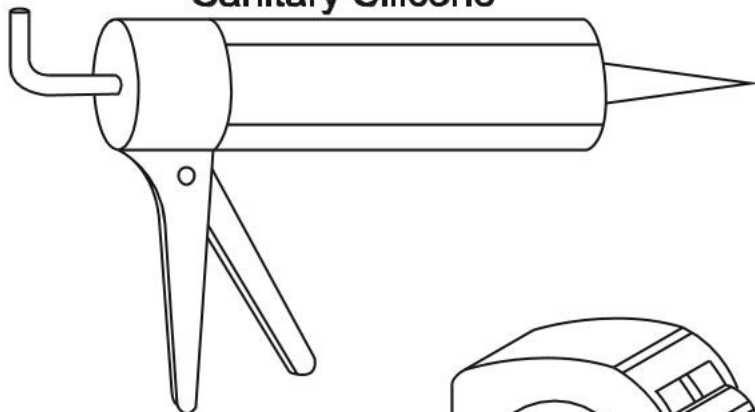


Drill beat head
5.5mm

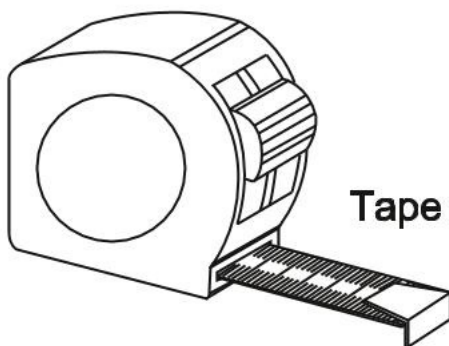


Auger

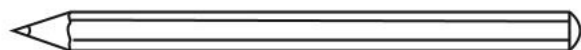
Sanitary Silicone



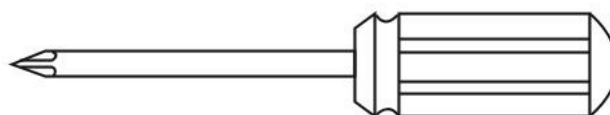
Tape measure



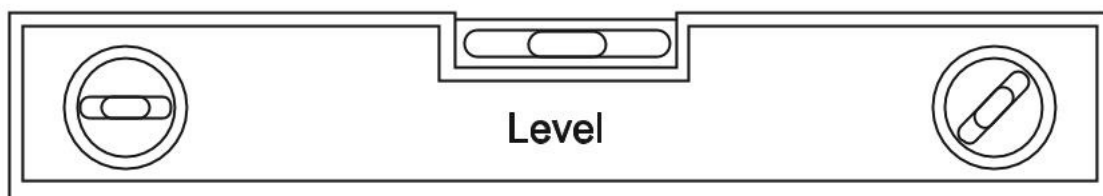
Pencil

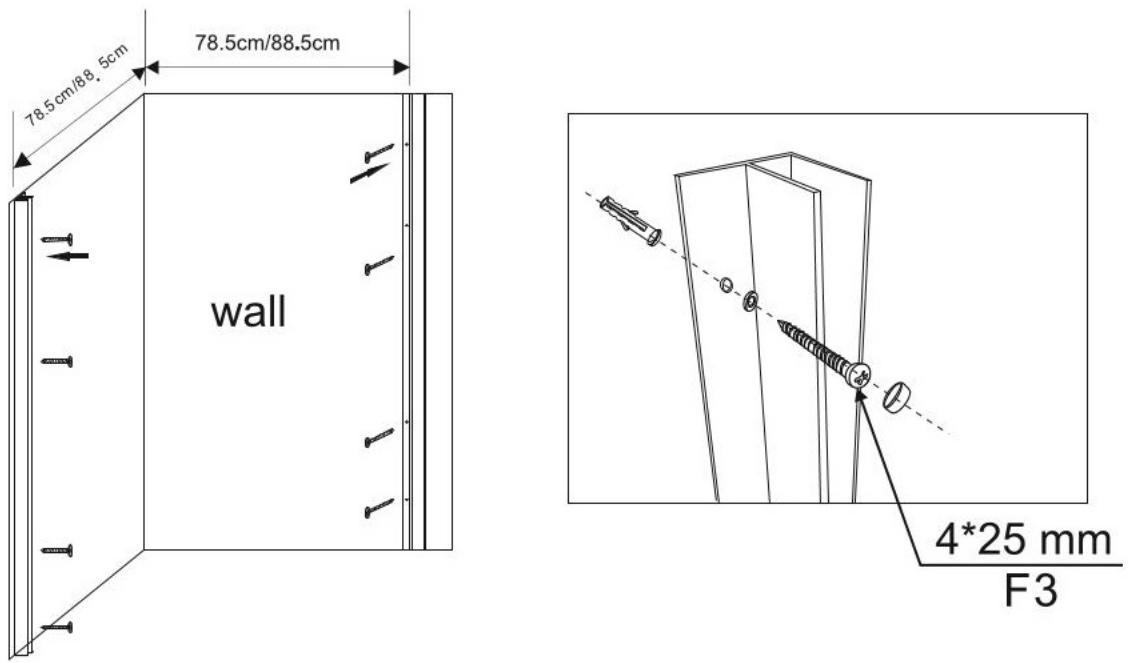
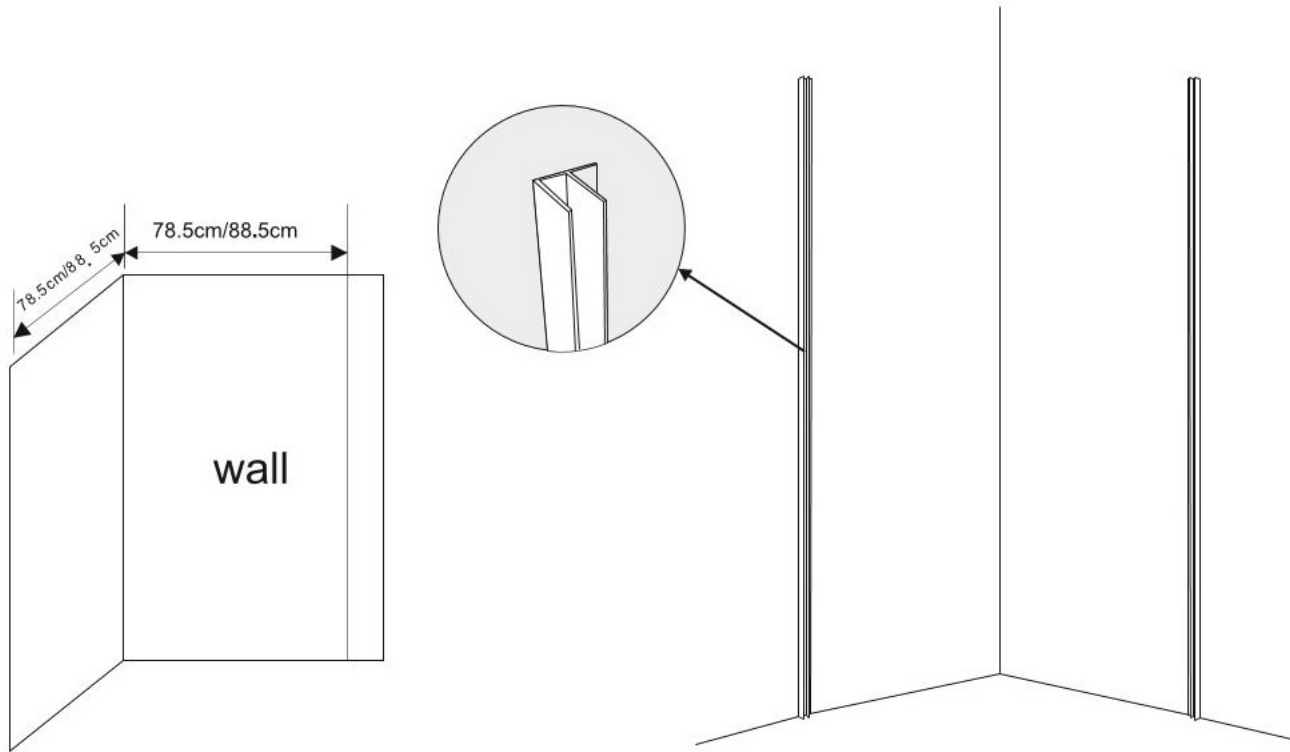


Magnetic crosshead screwdriver

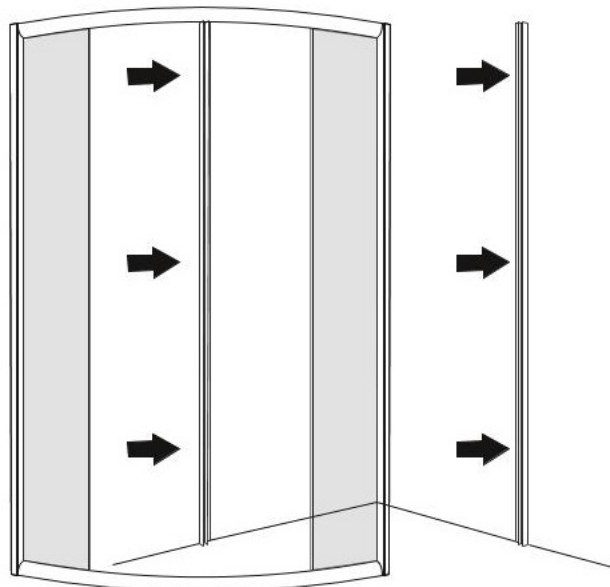
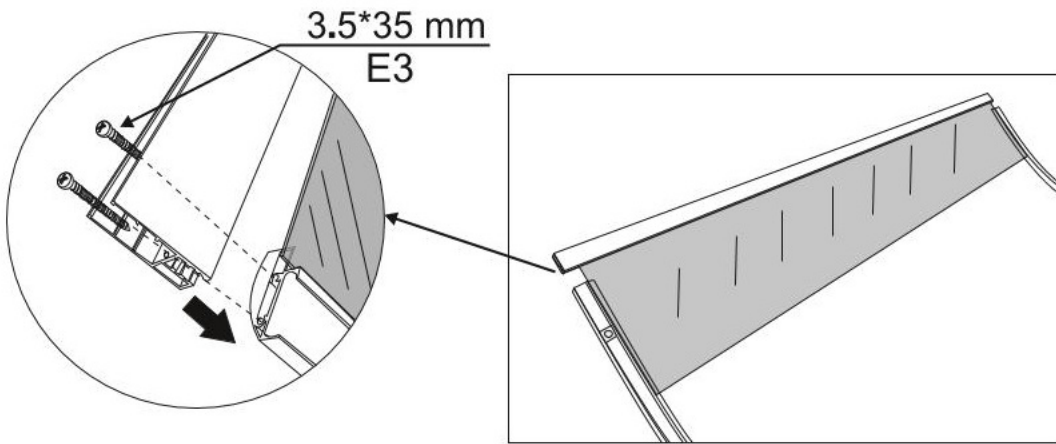
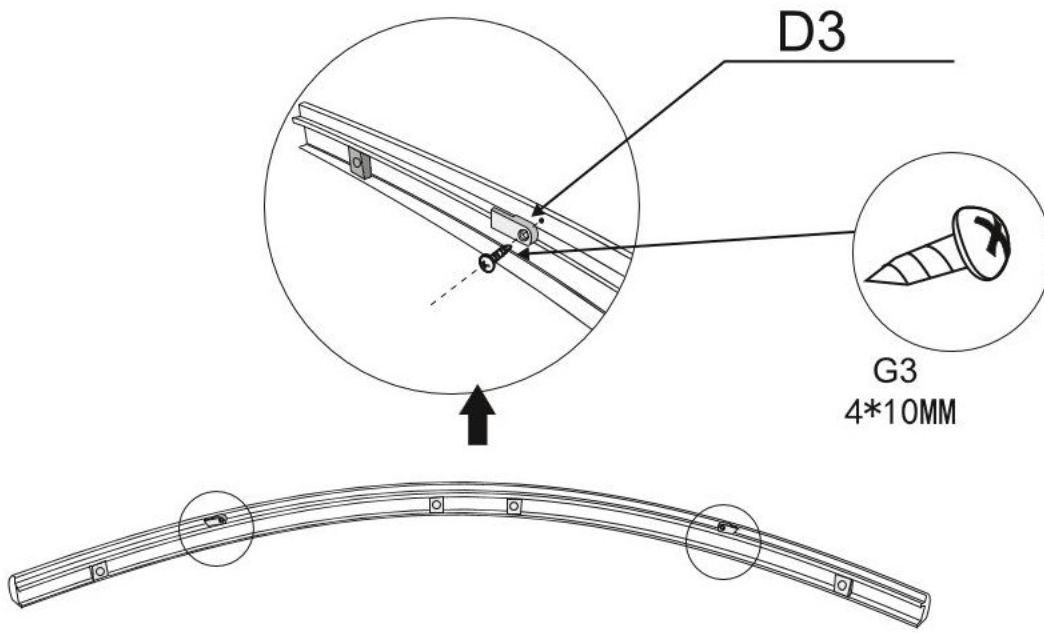


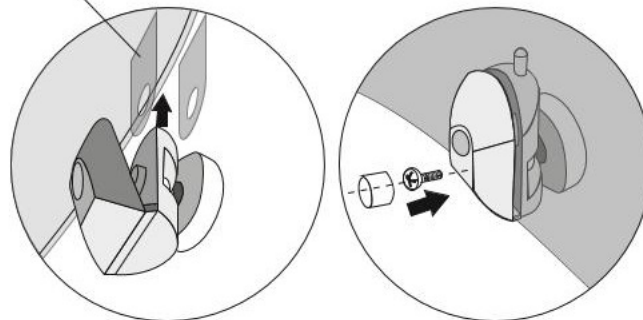
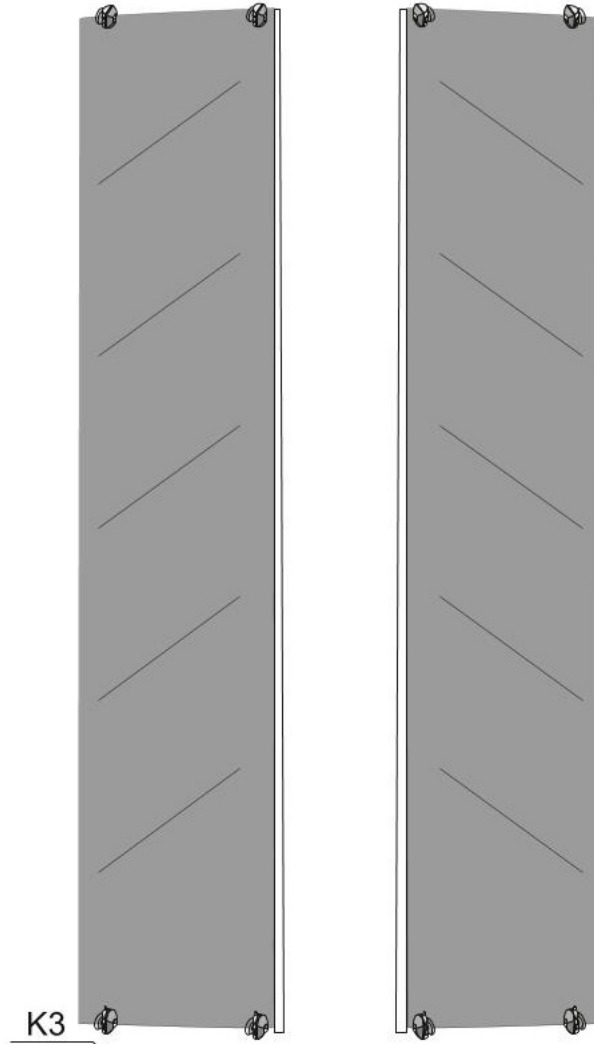
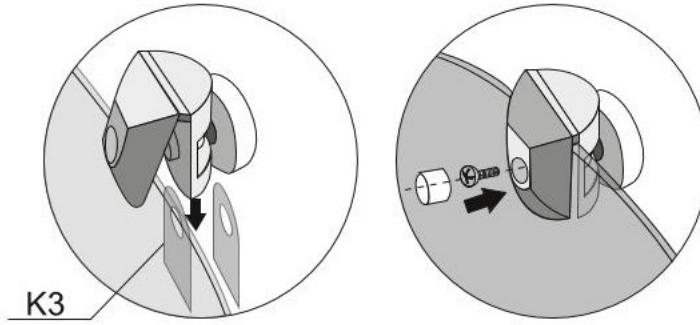
Level

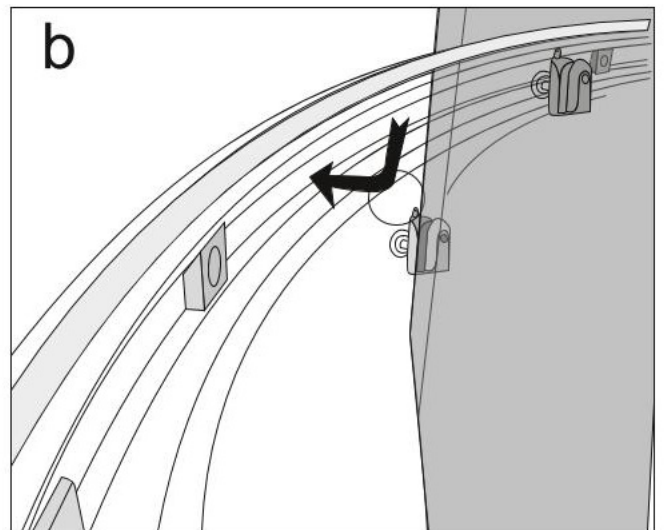
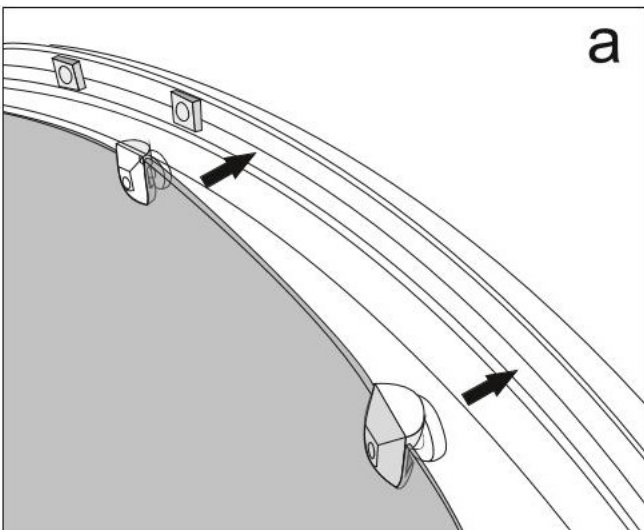
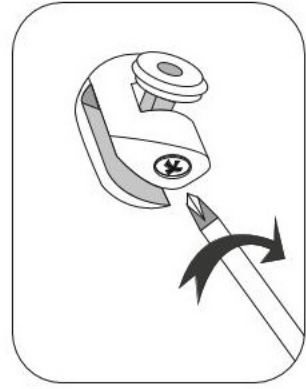
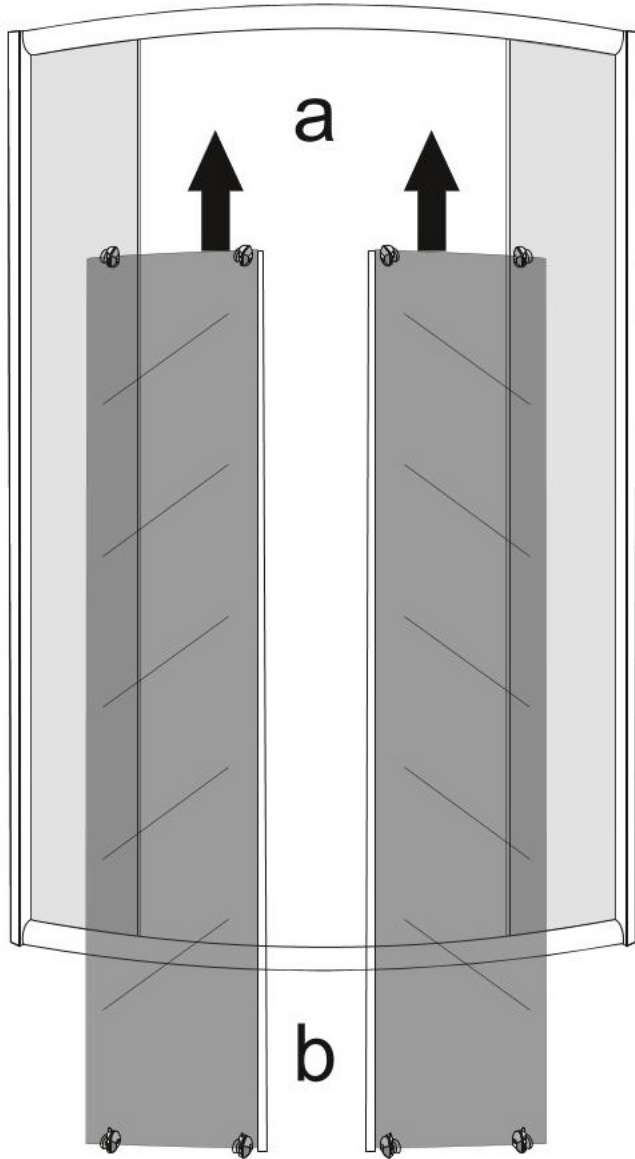


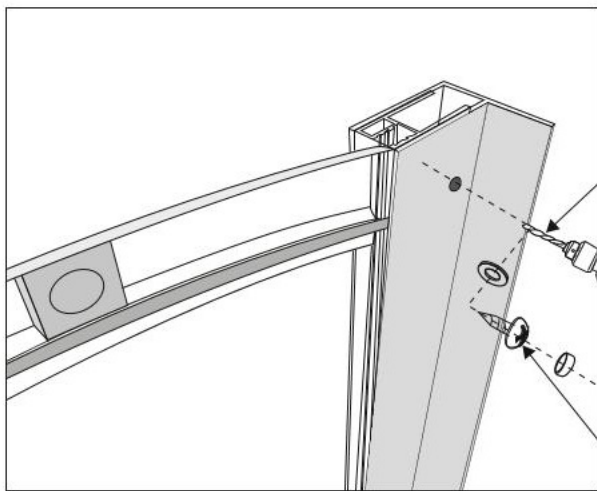
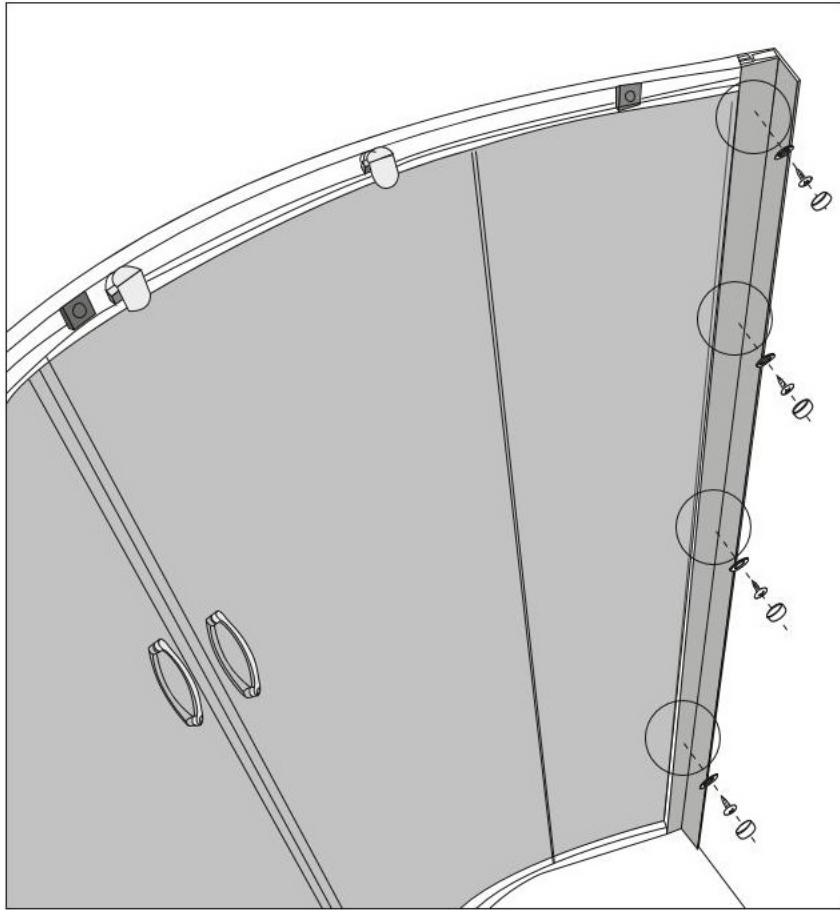


- 1
- 2
- 3
- 4
- 5





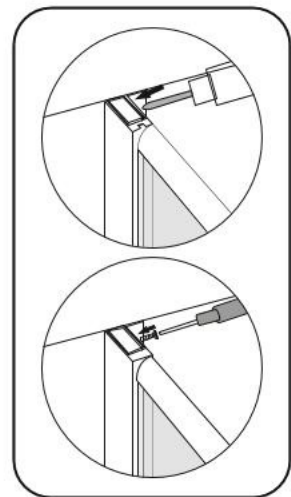


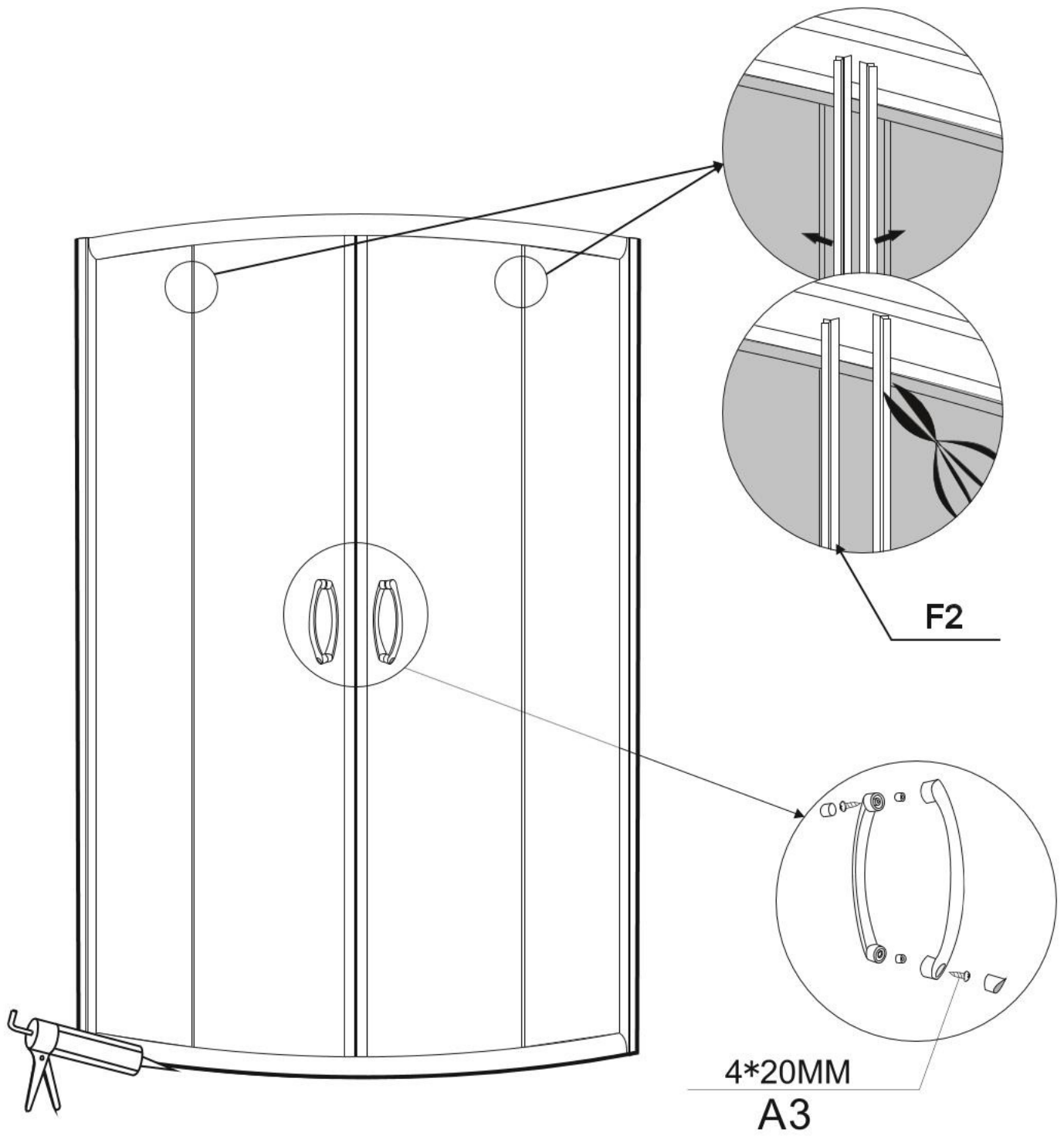


J3

stainless steel screws:
4*10 big head

H3





F2

4*20MM
A3