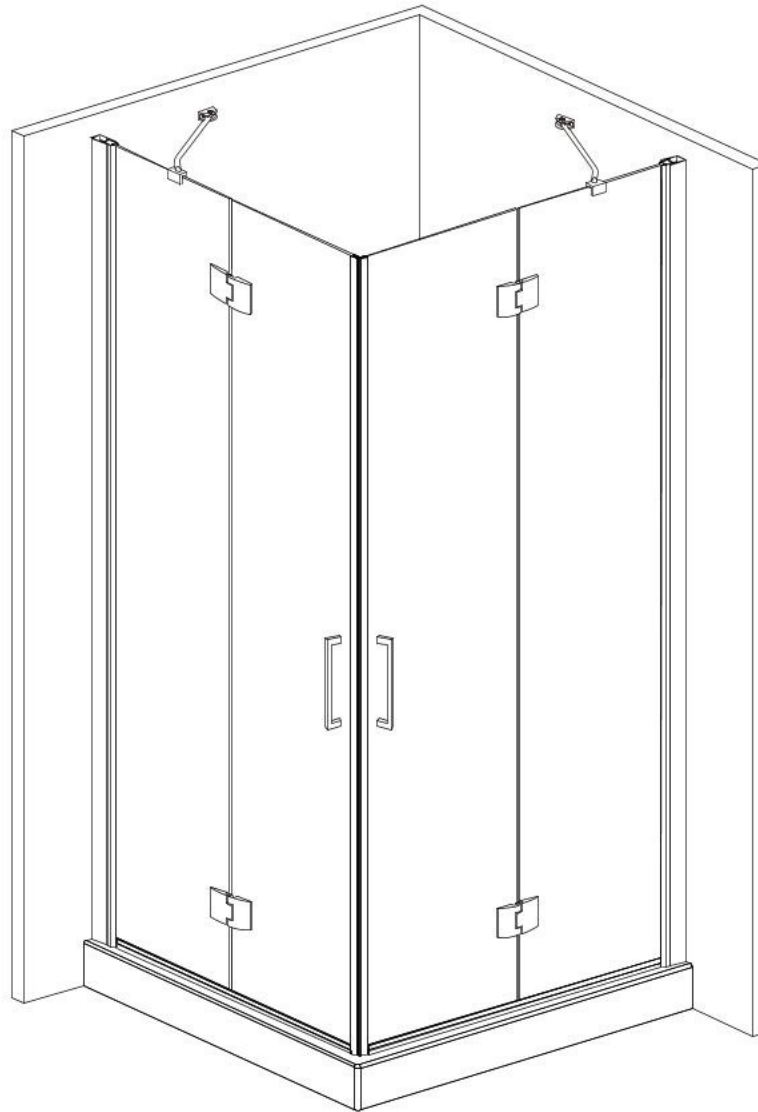
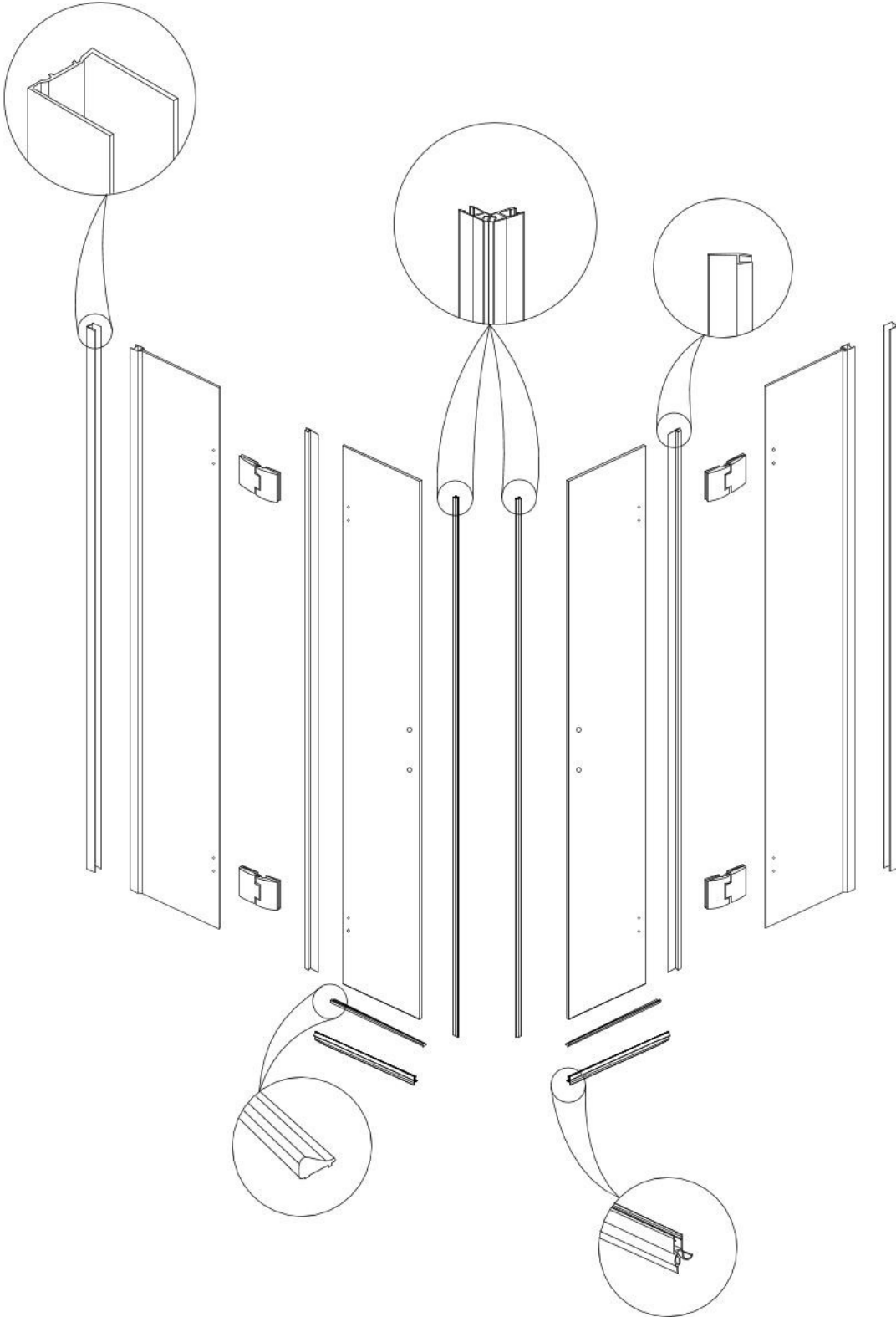
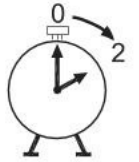
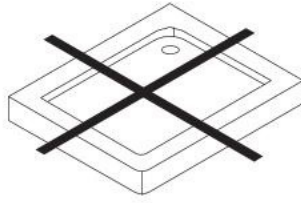


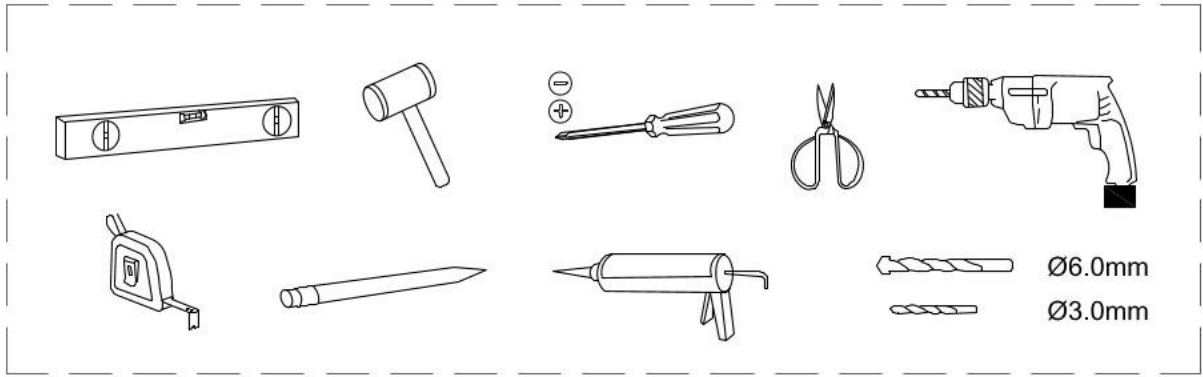
# USE INSTRUCTION HANDBOOK




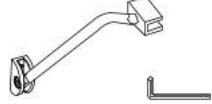












## ISTRUZIONI DI MONTAGGIO

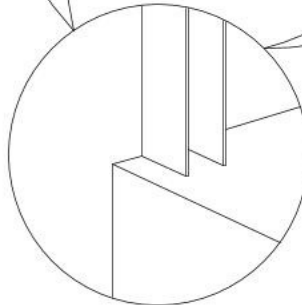
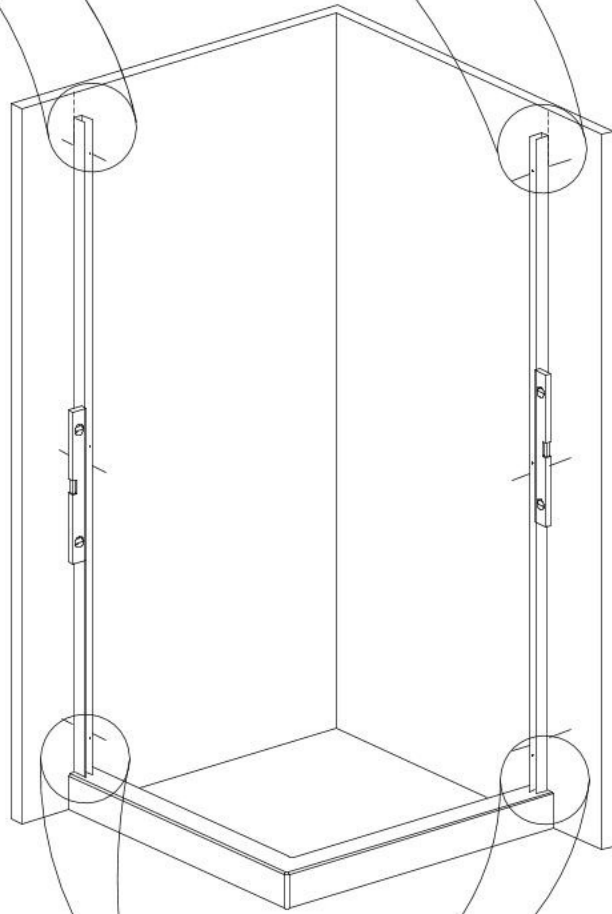
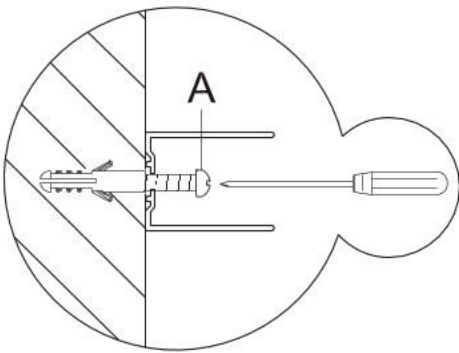
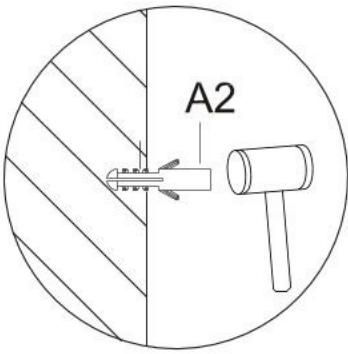
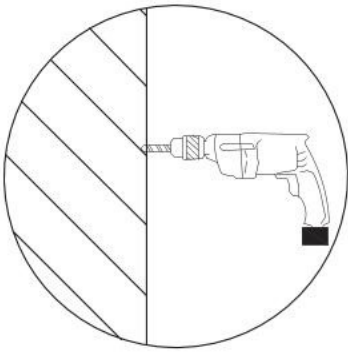
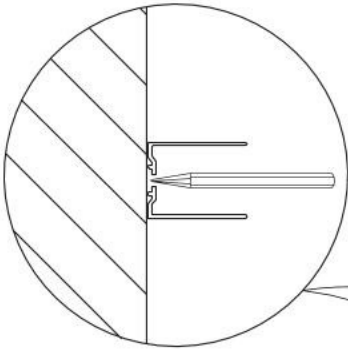
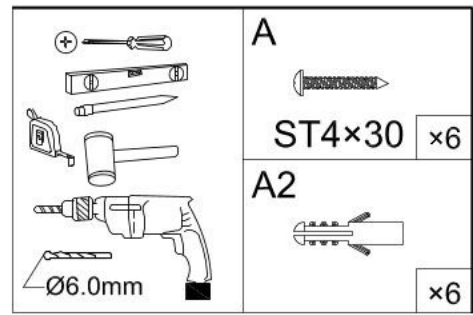


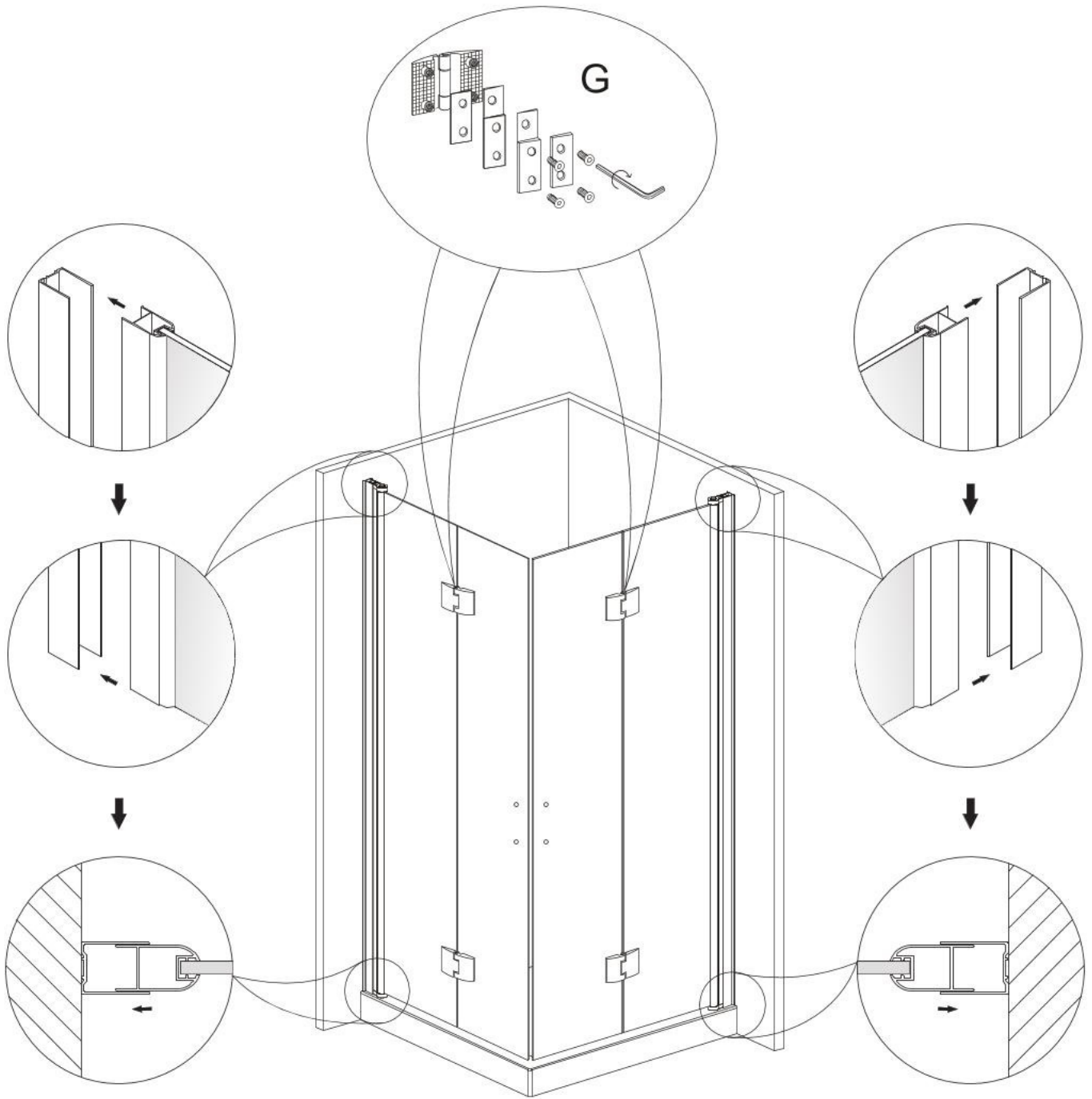
**LONDON**

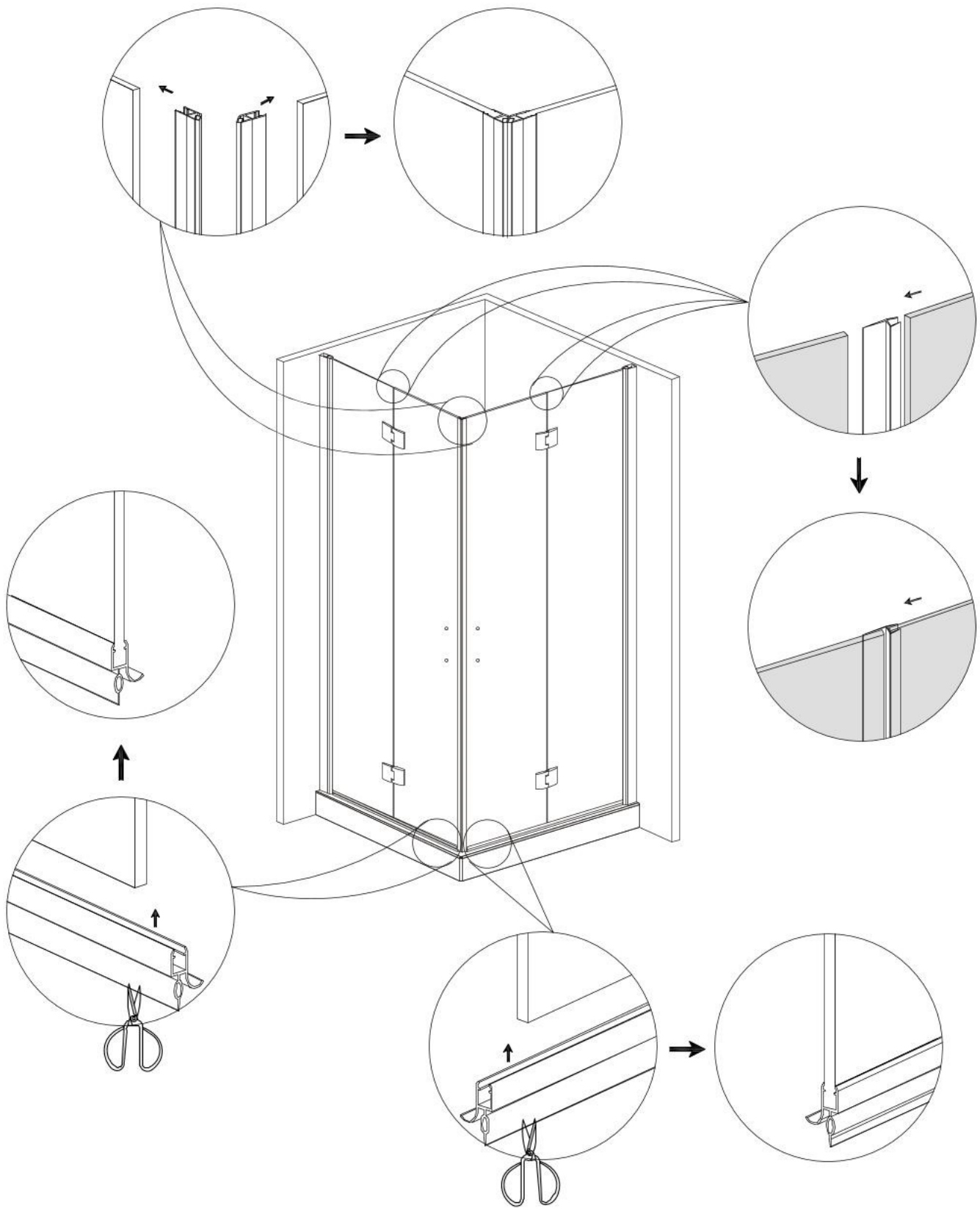




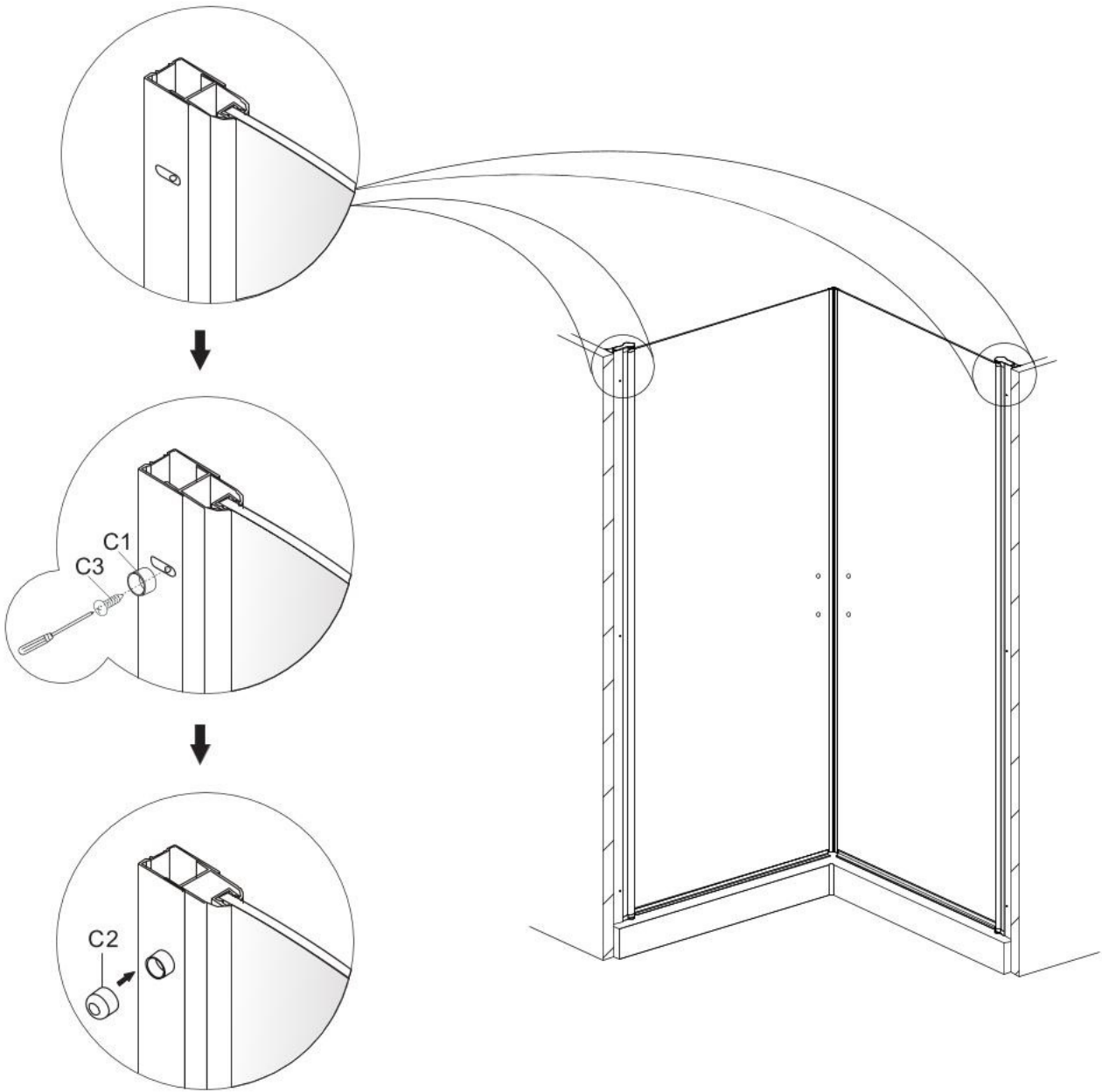
A1	 ST4x30mm	x6	D2		x1
A2		x6	D3		x1
B		x2	E		x1
C1		x4	E1		x1
C2		x4	E2		x1
C3	 ST4x12mm	x4	H1		x2
D	 ST4x30mm	x4	H2		x2
D1		x4	G		x4

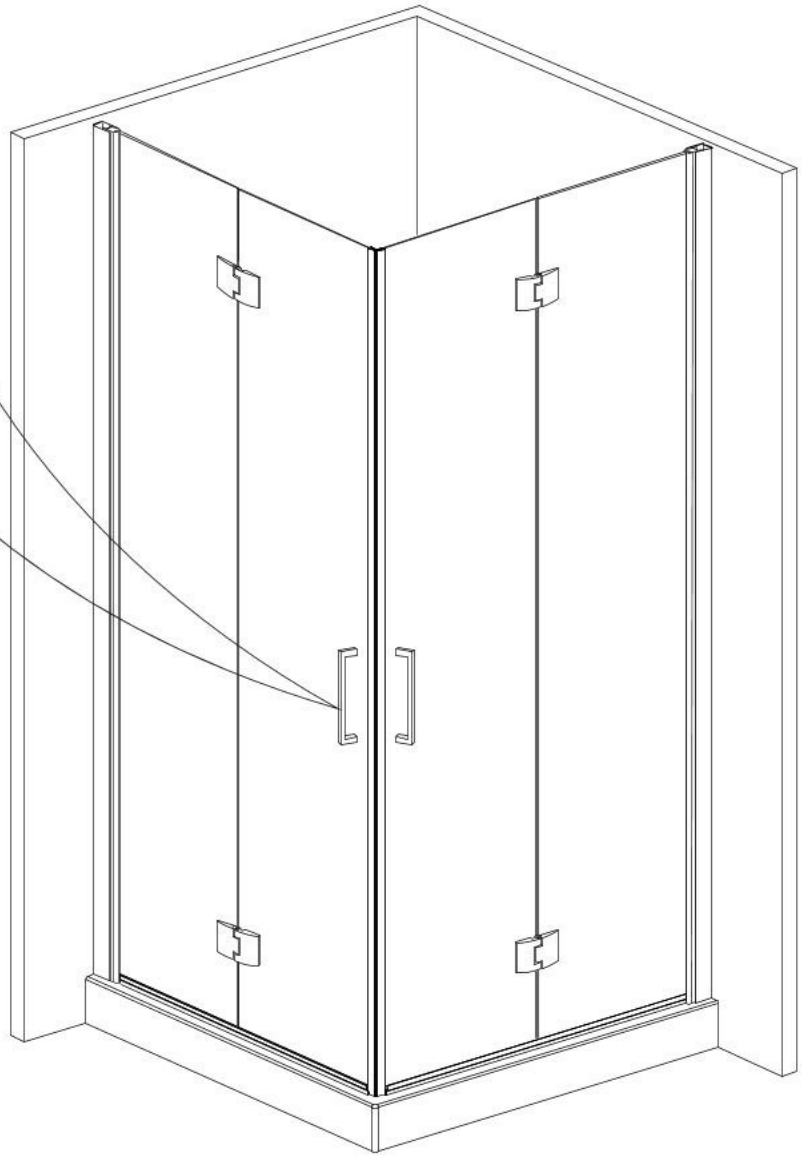
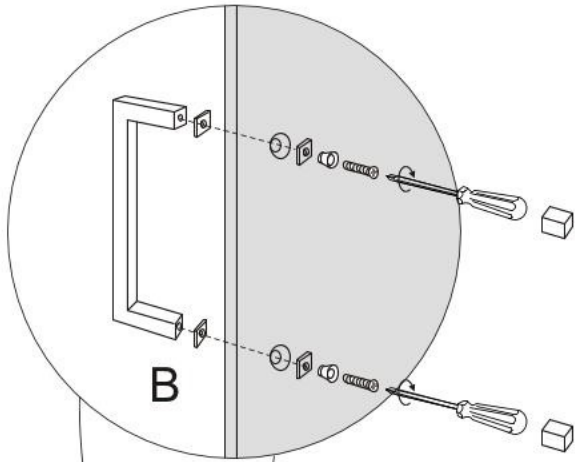
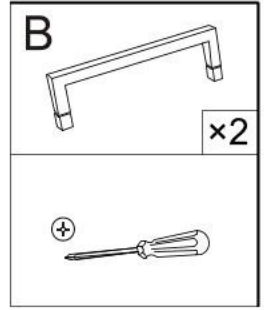




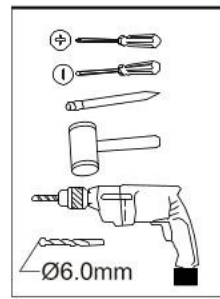


	<b>C1</b>  x4
	<b>C2</b>  x4
	<b>C3</b> ST4x12mm x4







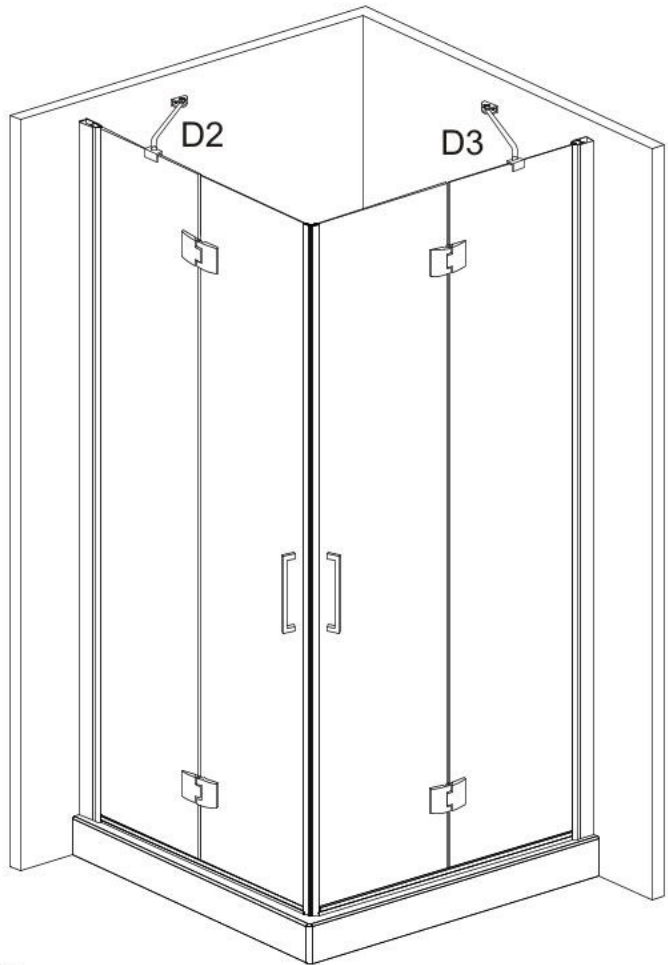
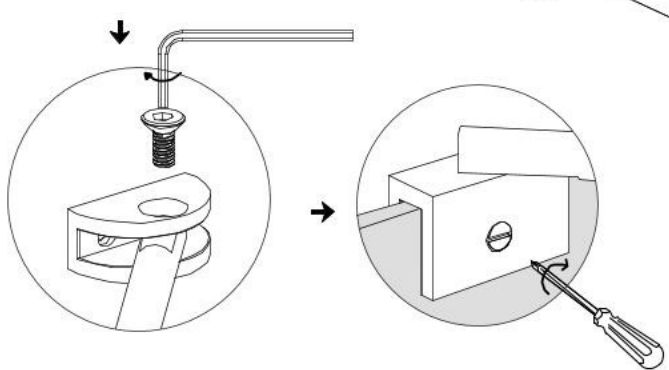
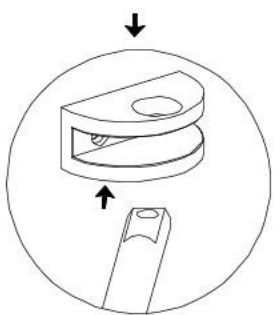
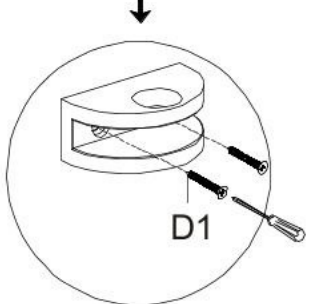
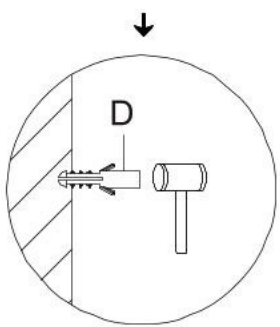
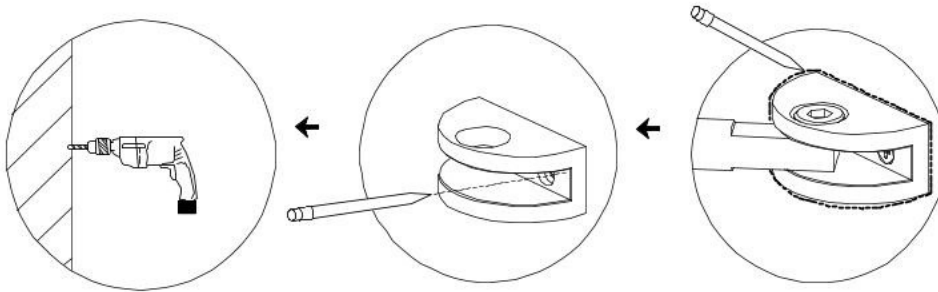


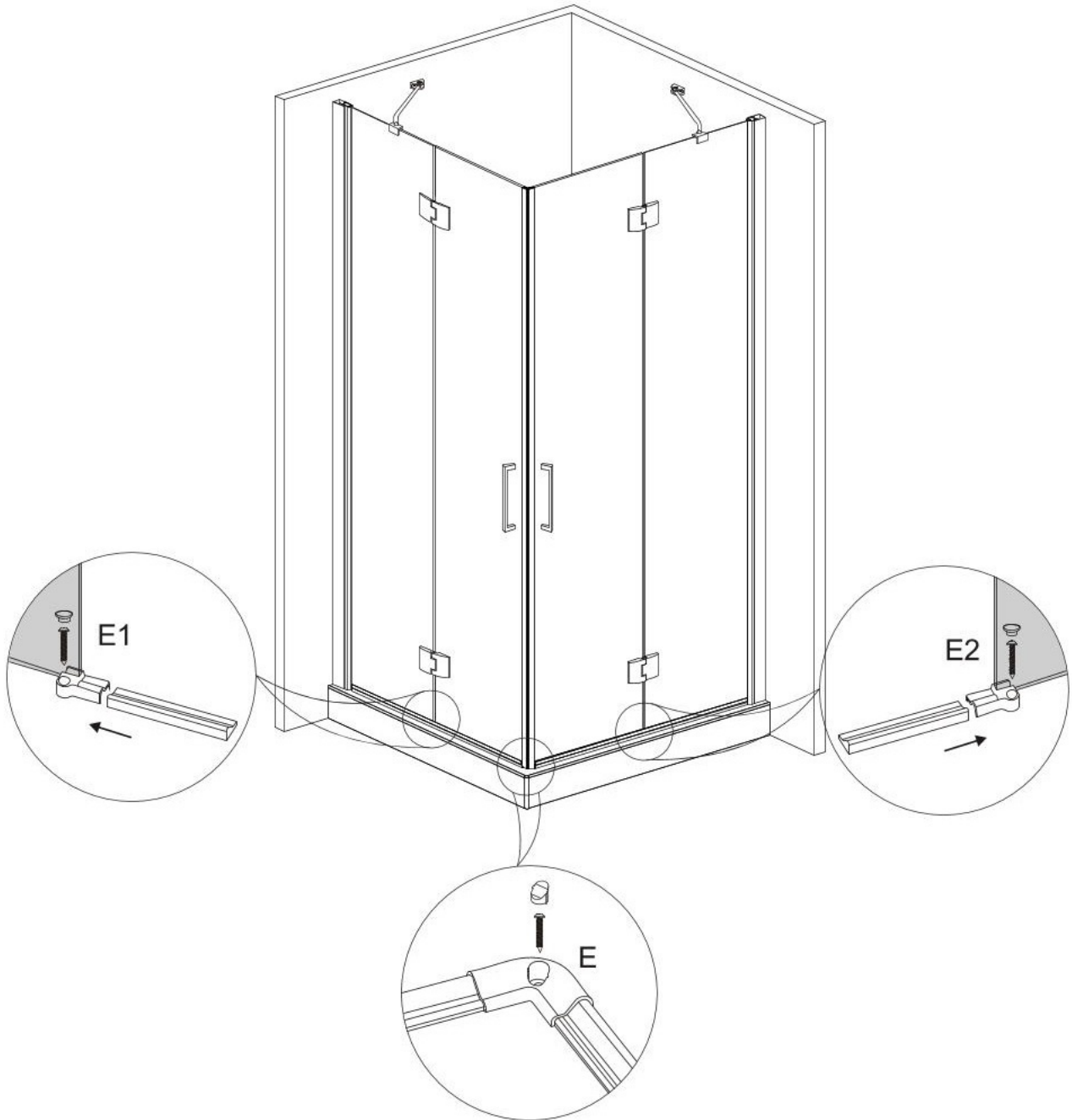
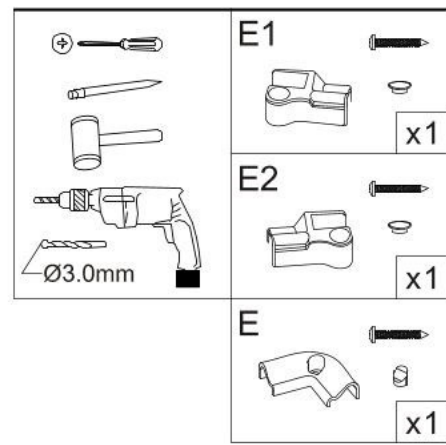
**D**  
ST4x30 X4

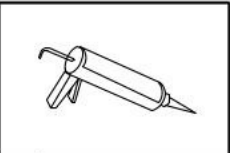
**D1**  
x4

**D2**  
X1

**D3**  
X1







H1



x2

H2



x2

