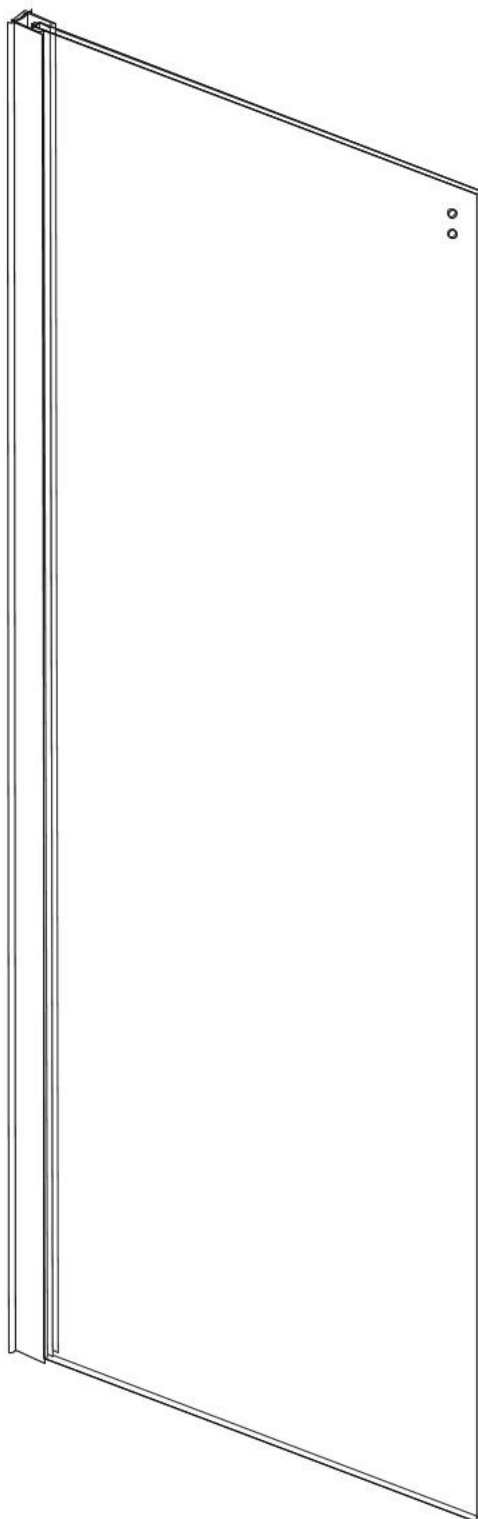


USE INSTRUCTION HANDBOOK

ISTRUZIONI DI MONTAGGIO



SIZE:70*190CM
80*190CM

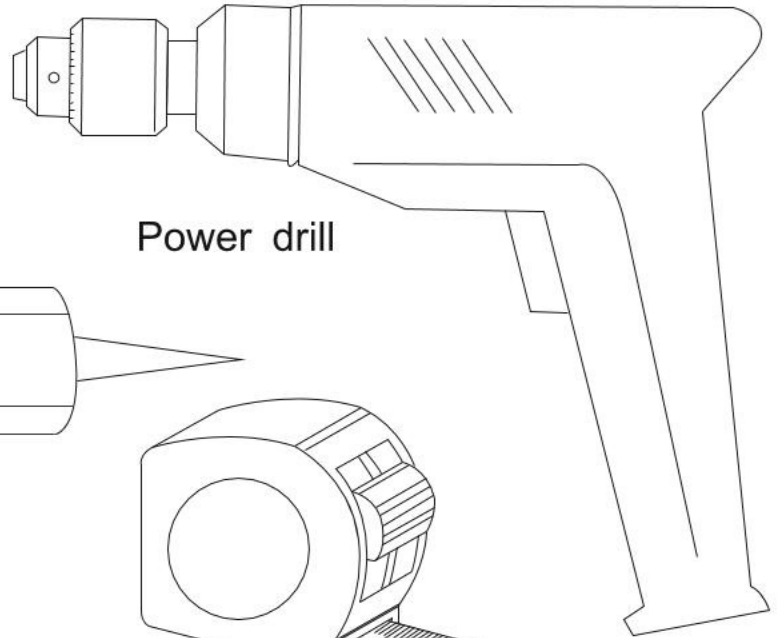
TOOLS REQUIRED(NOT SUPPLIED)

when you're ready to start,make sure that you have the following tools to hand,plenty of space and a clean dry area for assembly.

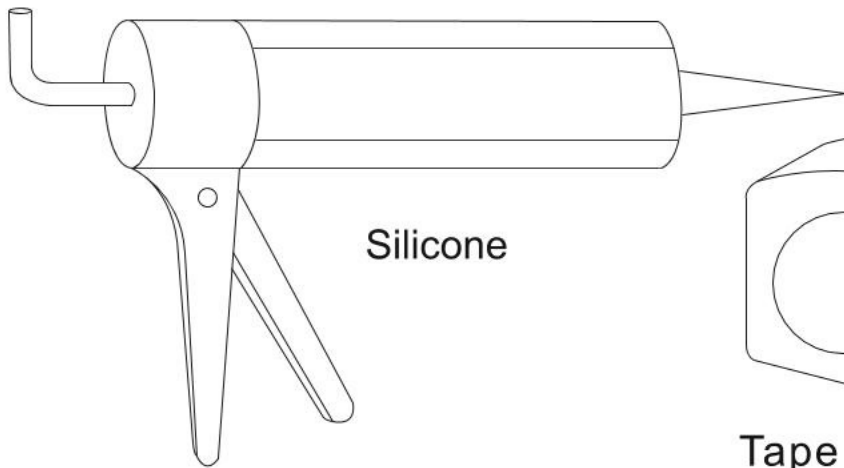
Two people are needed. Please note:although these instructions are comprehensive,We always recommend that a technically competent installer should undertake installation.



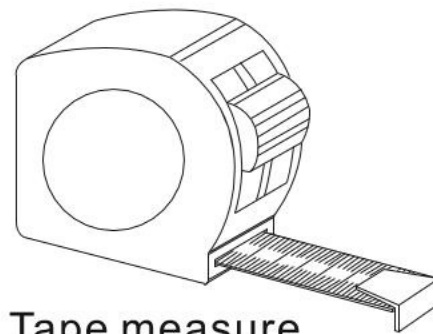
Drill bit to suit wall type
4mm



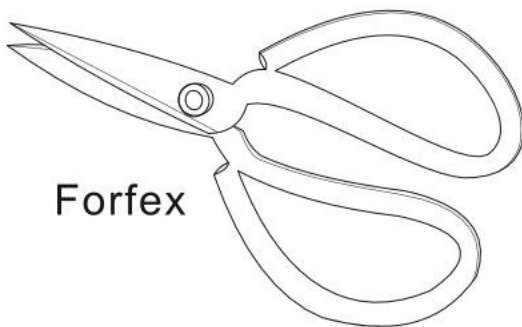
Power drill



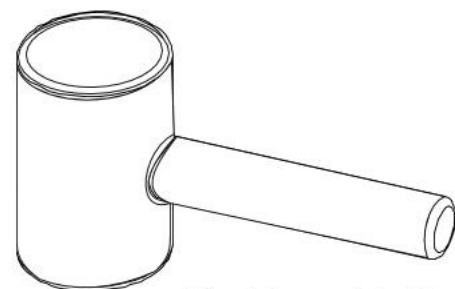
Silicone



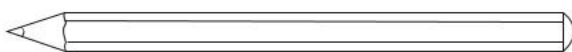
Tape measure



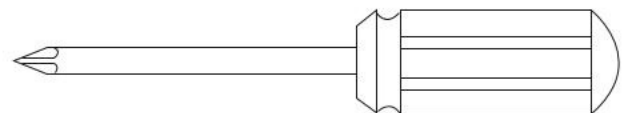
Forfex



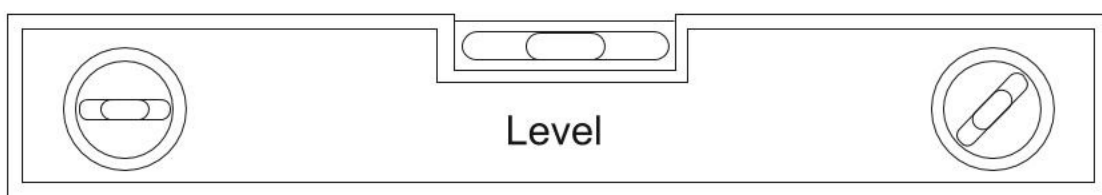
Rubber Mallet



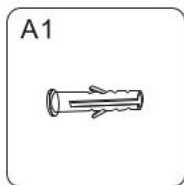
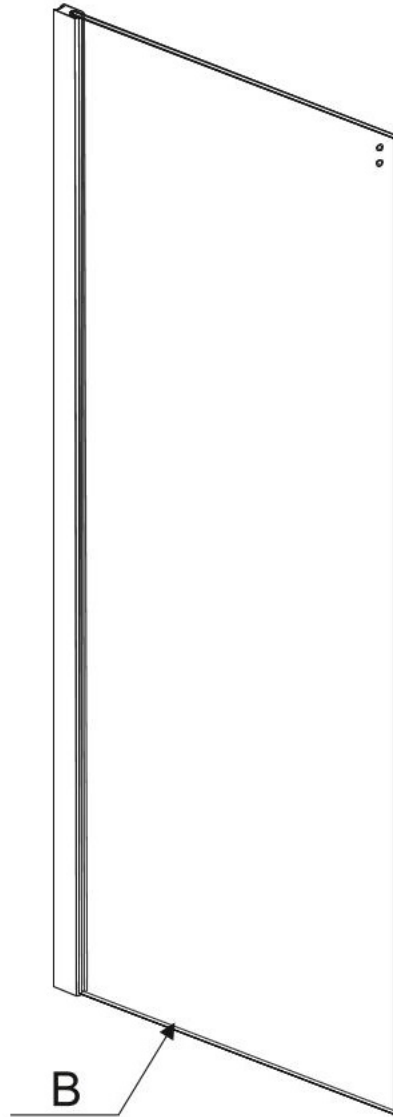
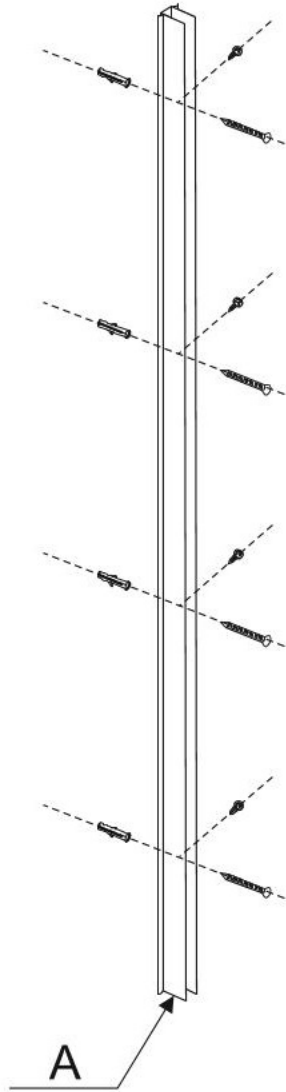
Pencil



Magnetic cross head screw driver



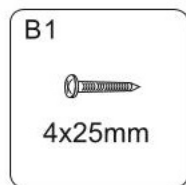
Level



A1



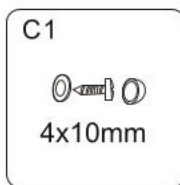
4PCS



B1

4x25mm

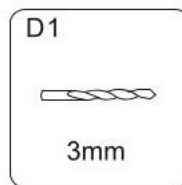
4PCS



C1

4x10mm

4PCS



D1

3mm

1PCS

