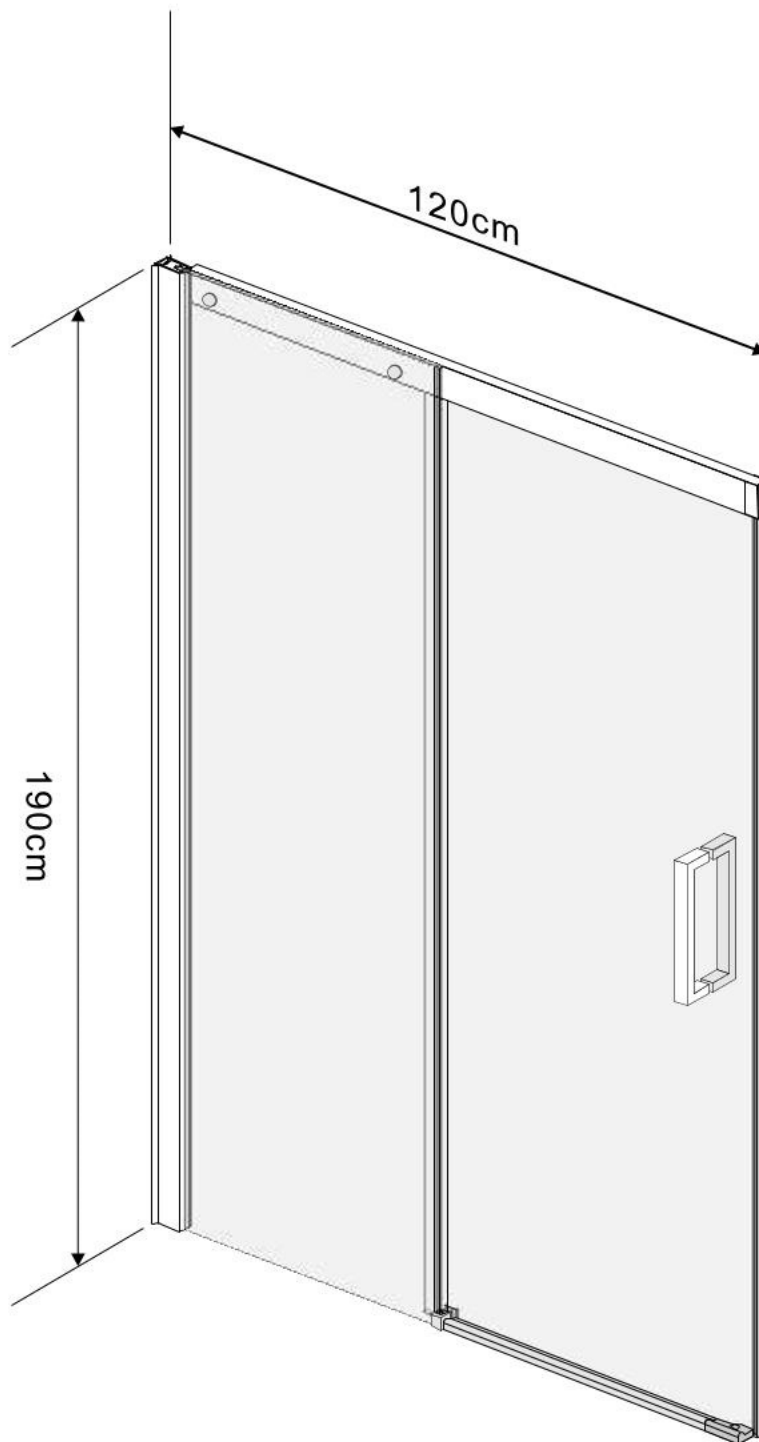


# USE INSTRUCTION HANDBOOK

## ISTRUZIONI DI MONTAGGIO



**SIZE: 120\*190 CM**

**SIZE: 130\*190 CM**

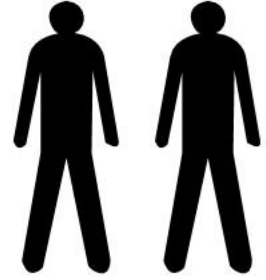
**SIZE: 140\*190 CM**

**SIZE: 150\*190 CM**

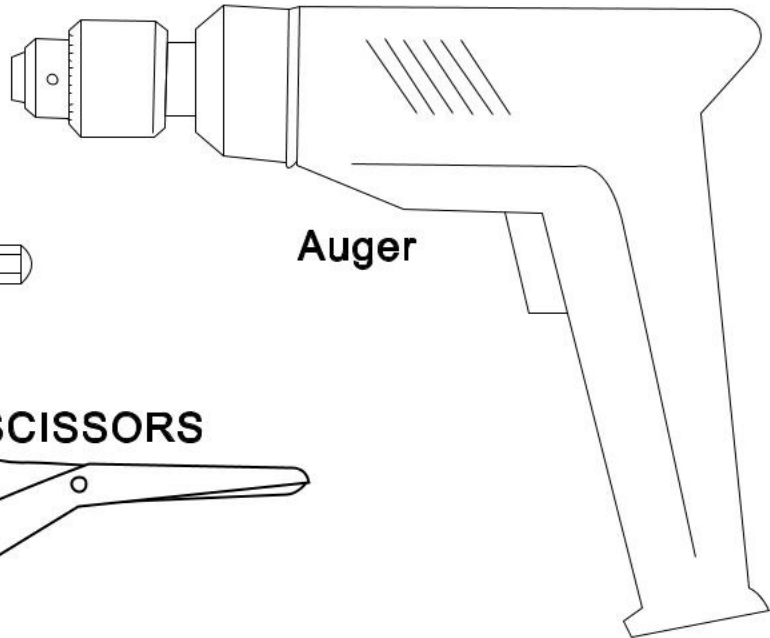
## TOOLS REQUIRED(NOT SUPPLIED)

when you're ready to start,make sure that you have the following tools to hand,plenty of space and a clean dry area for assembly.

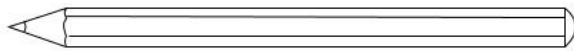
Two people are needed. Please note:although these instructions are comprehensive,We always recommend that a technically competent installer should undertake installation.



**Drill beat head  
4mm**

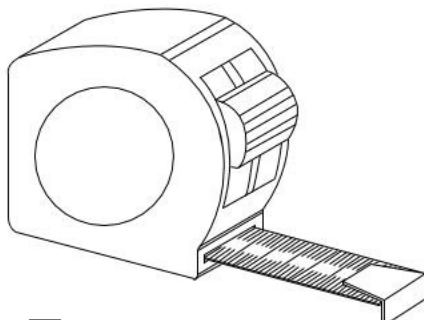
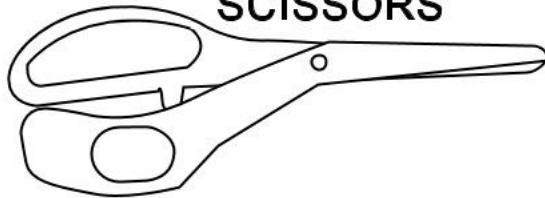


**Auger**

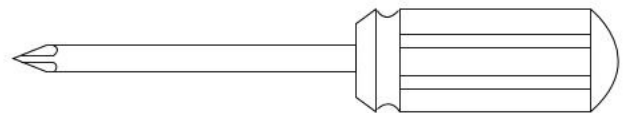
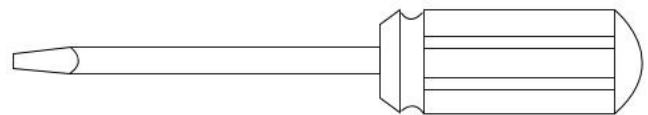


**Pencil**

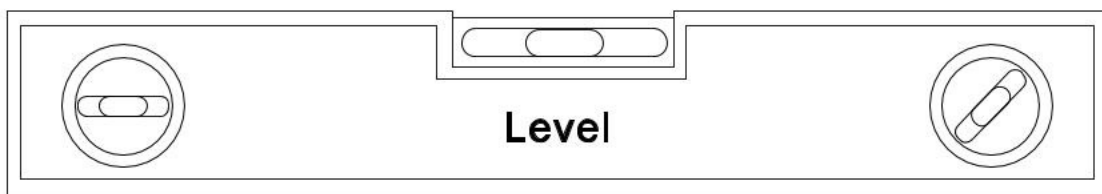
**SCISSORS**



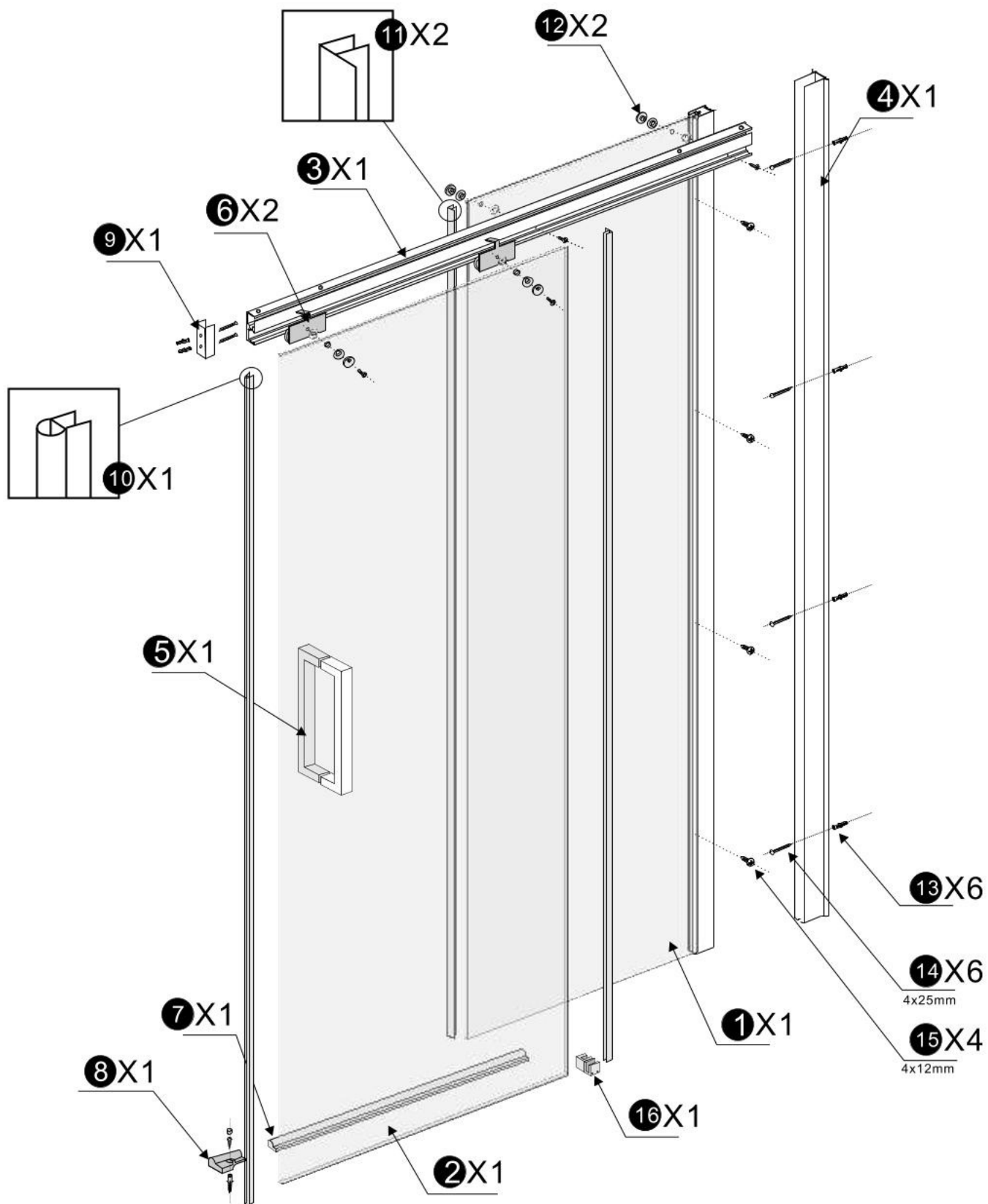
**Tape measure**

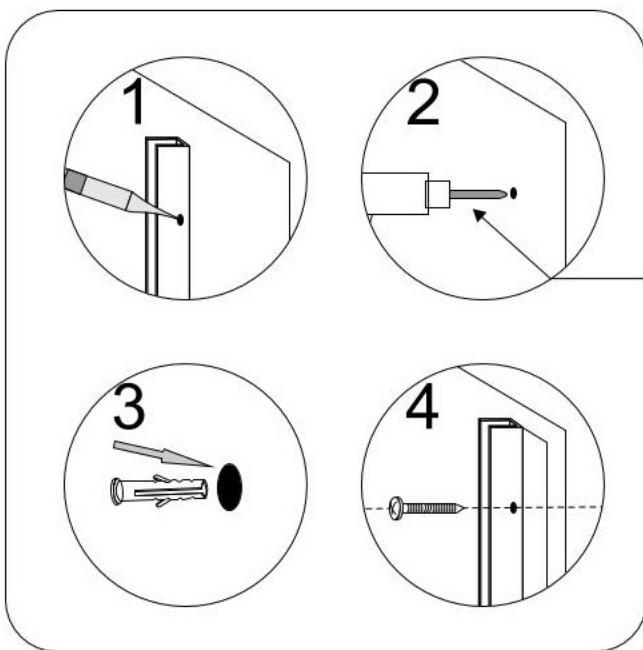
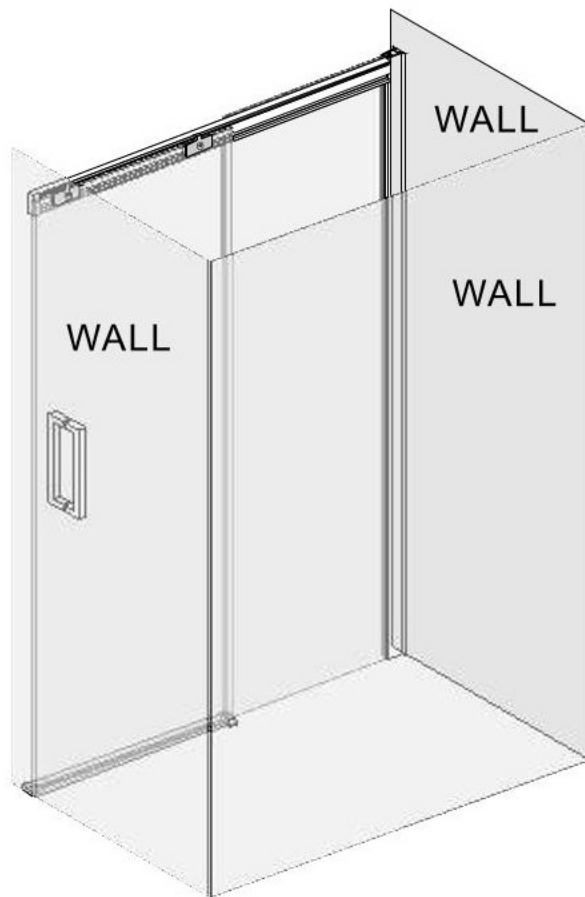


**Magnetic crosshead screwdriver**

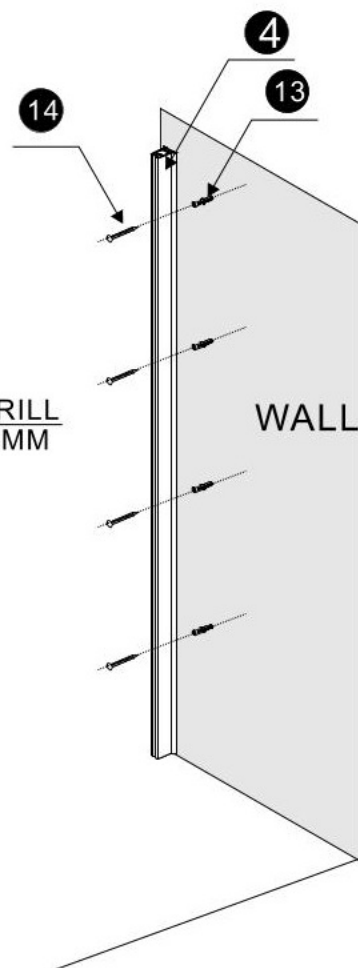


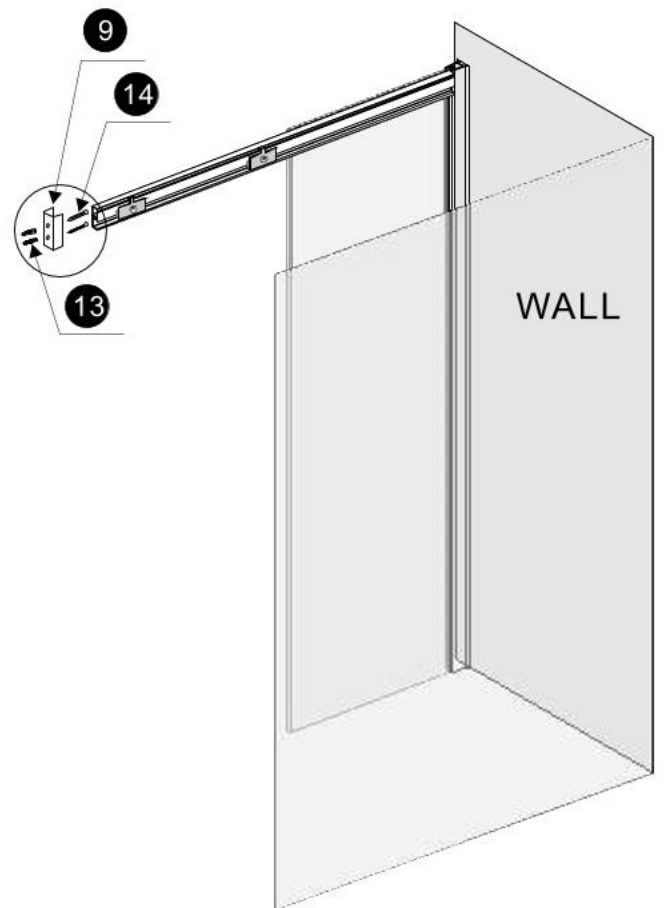
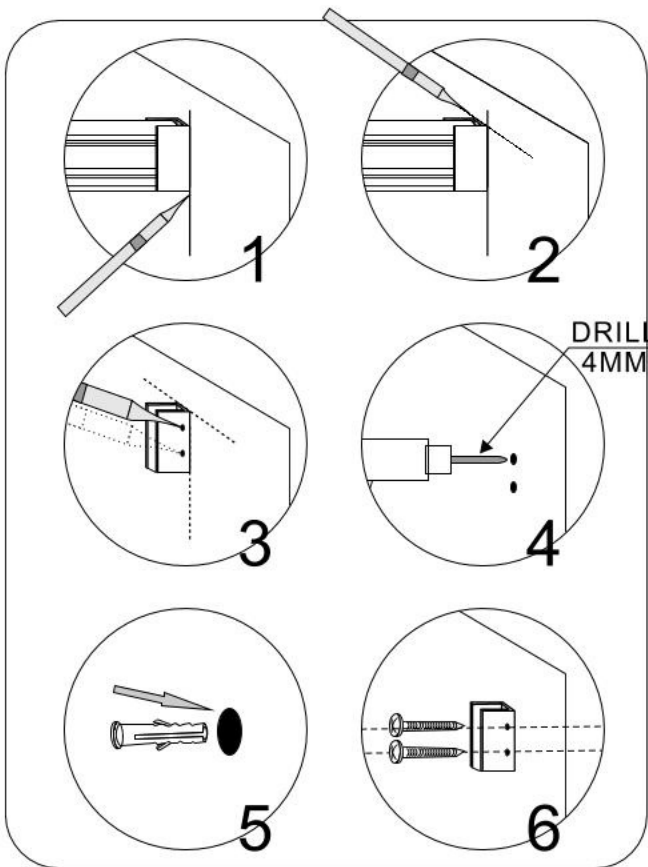
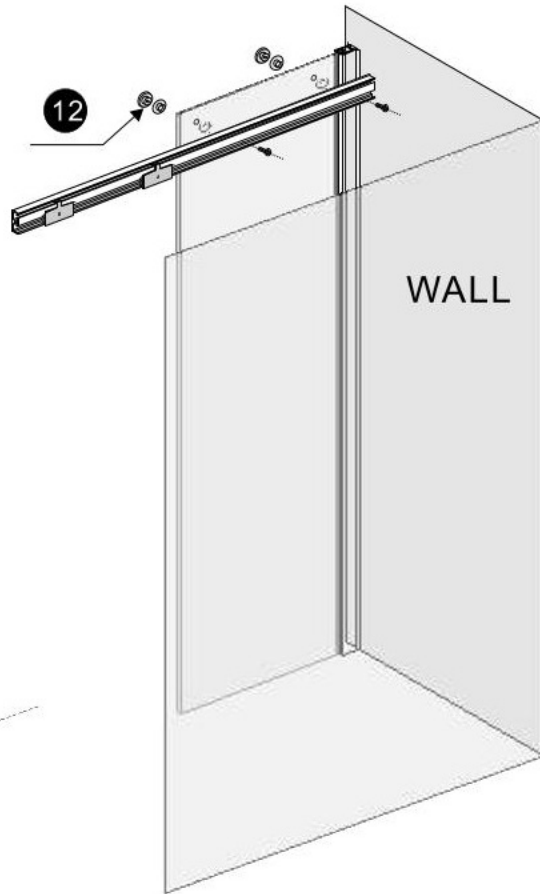
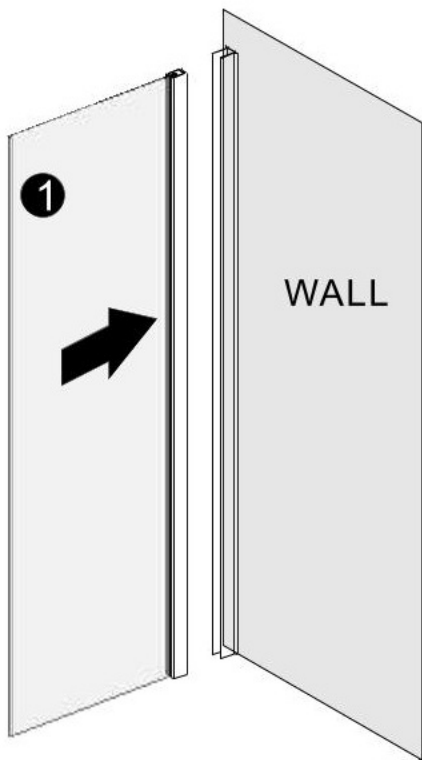
**Level**

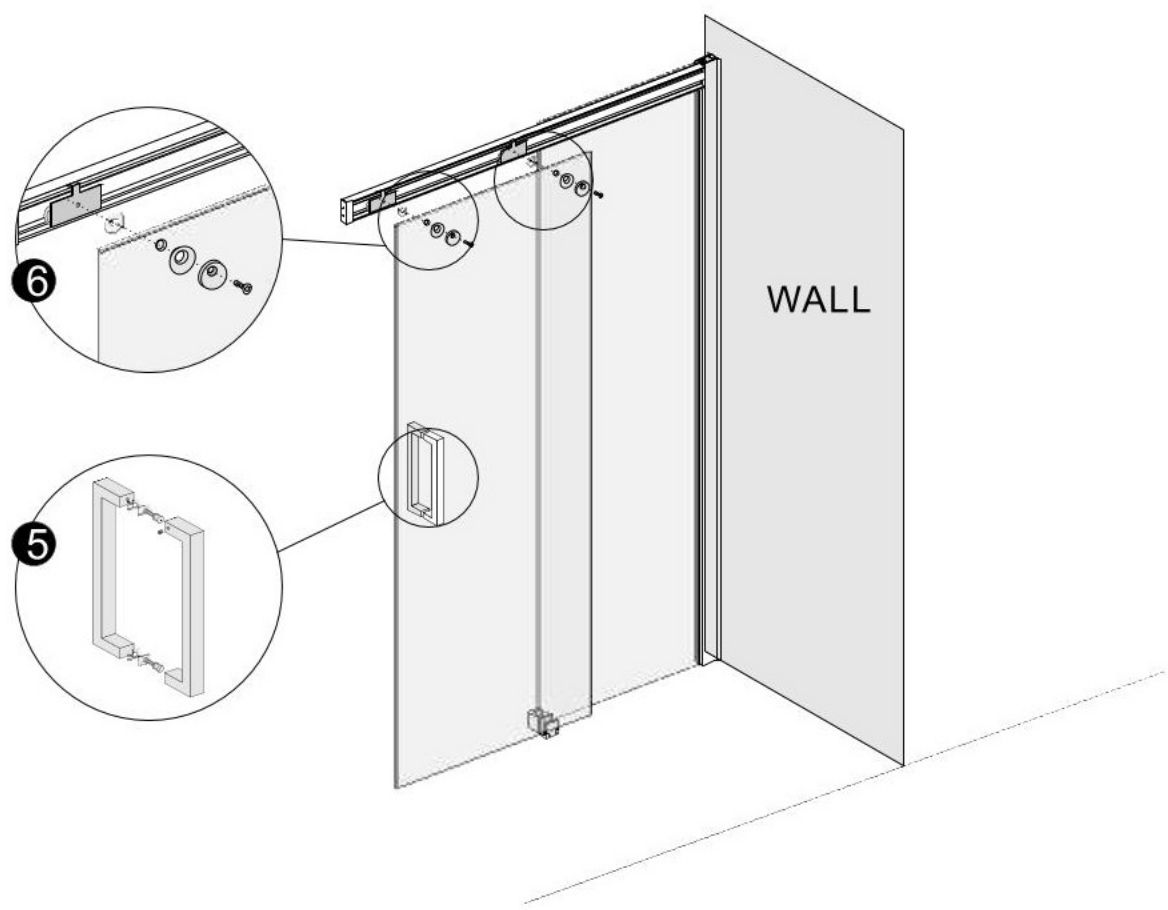
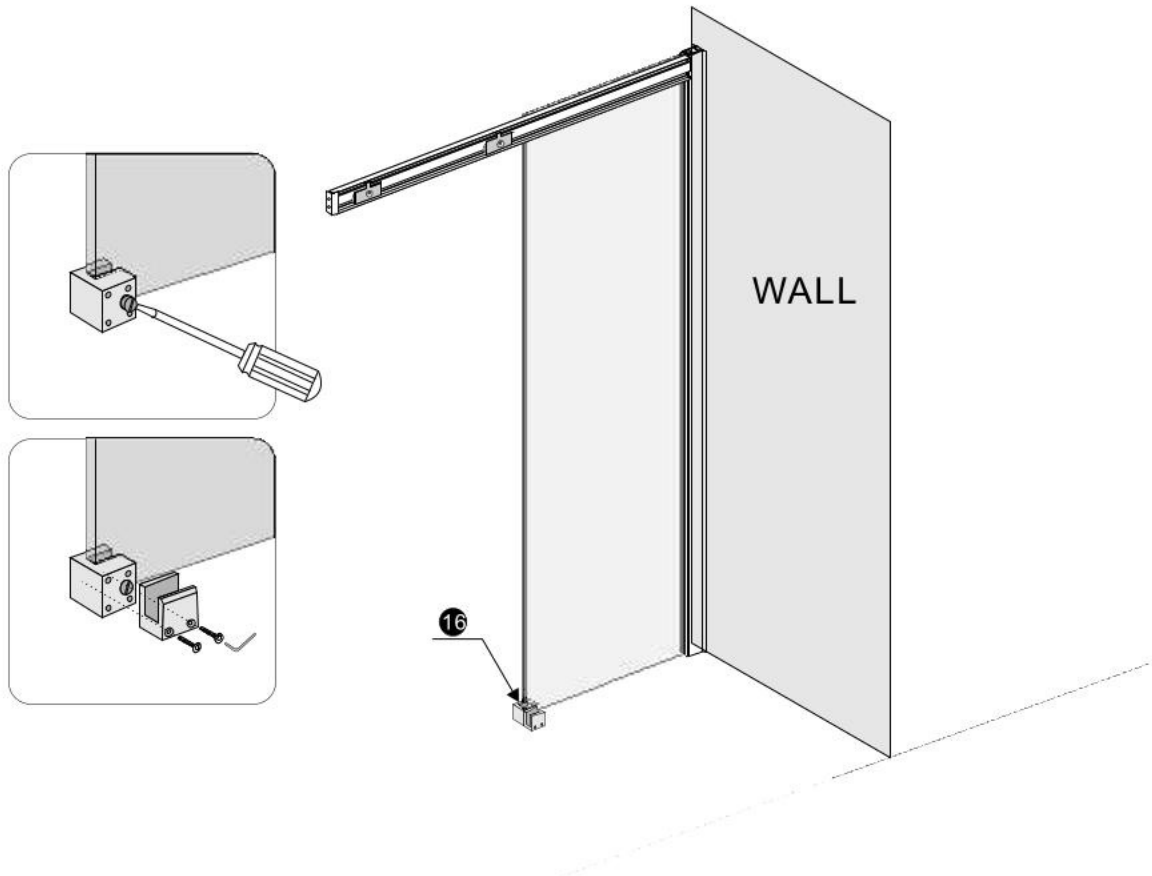


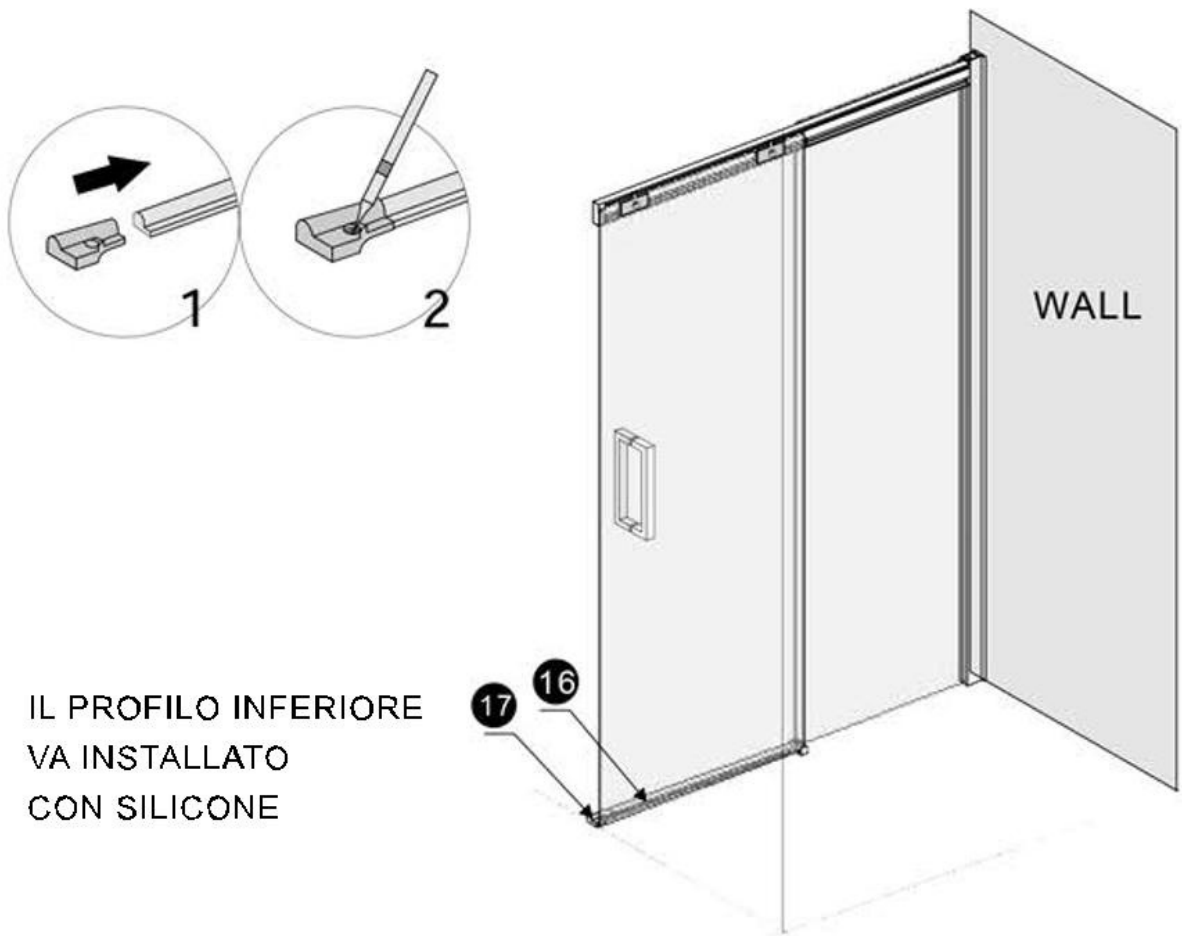


DRILL  
4MM









IL PROFILO INFERIORE  
VA INSTALLATO  
CON SILICONE

