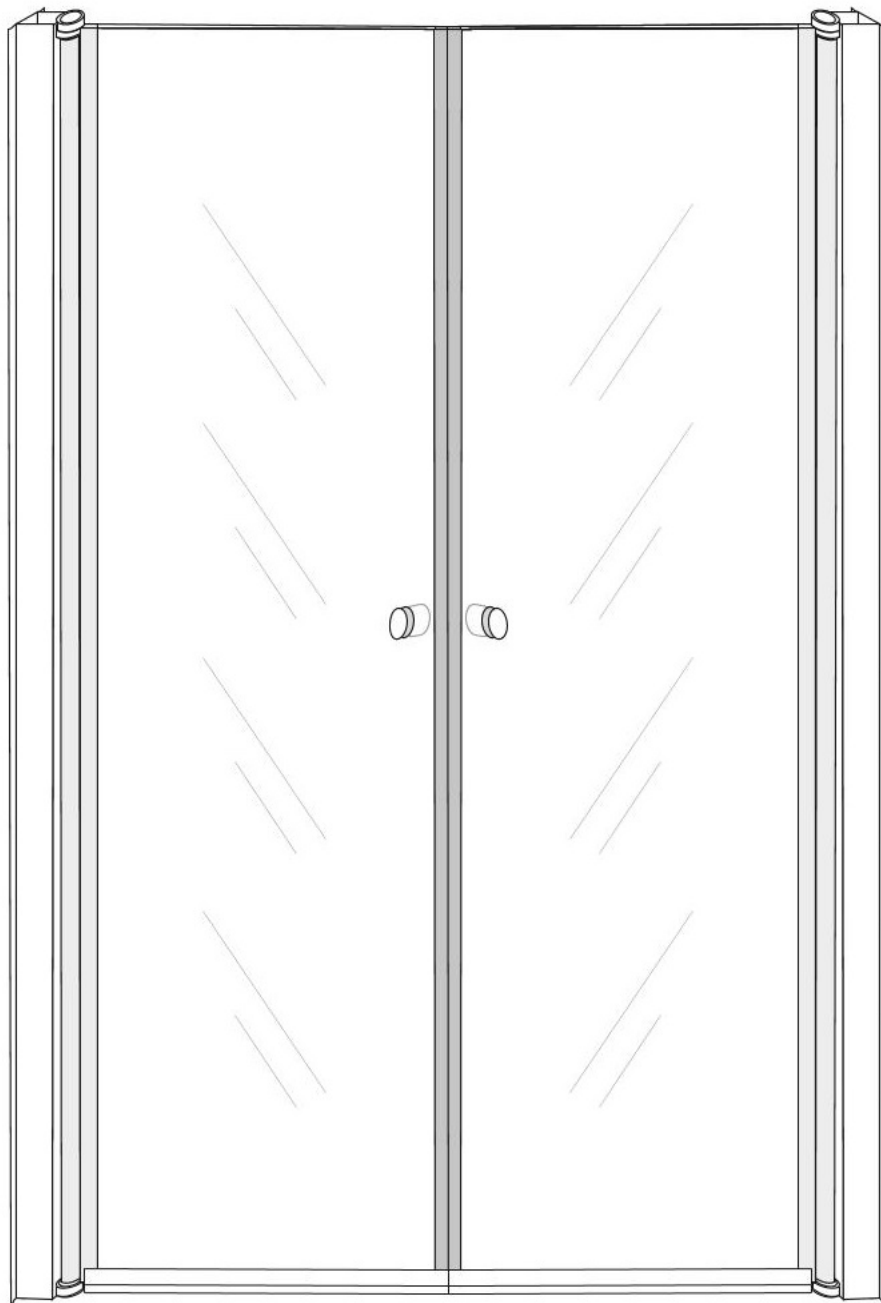


# USE INSTRUCTION HANDBOOK

## ISTRUZIONI DI MONTAGGIO



### PORTA DOCCIA ANTIPANICO SALOON

**SIZE: 70\*190 CM**

**80\*190 CM**

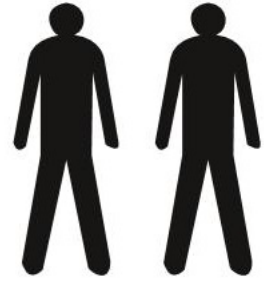
**90\*190 CM**

**100\*190 CM**

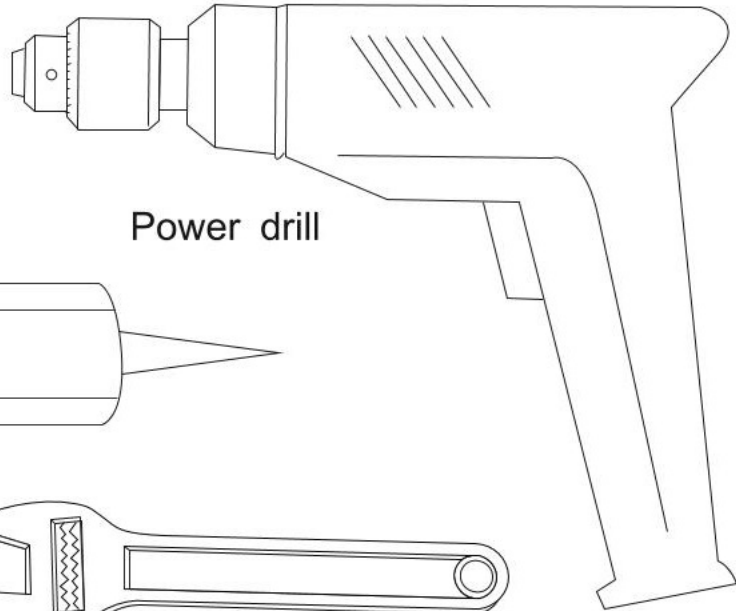
## TOOLS REQUIRED(NOT SUPPLIED)

when you're ready to start,make sure that you have the following tools to hand,plenty of space and a clean dry area for assembly.

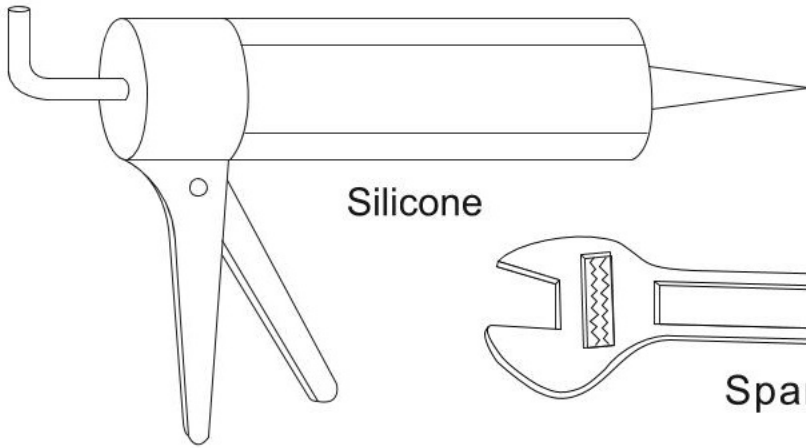
Two people are needed. Please note:although these instructions are comprehensive,We always recommend that a technically competent installer should undertake installation.



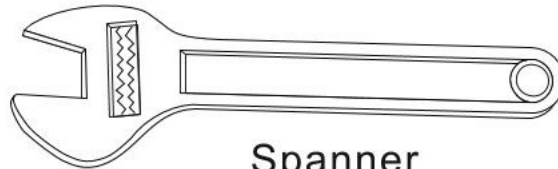
Drill bit to suit wall type  
5.5mm



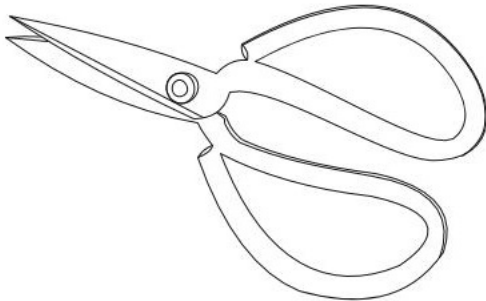
Power drill



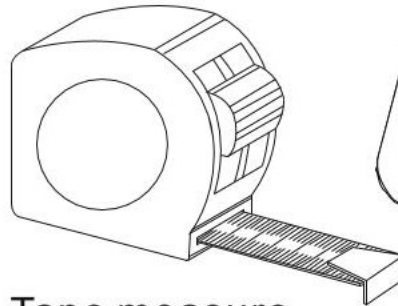
Silicone



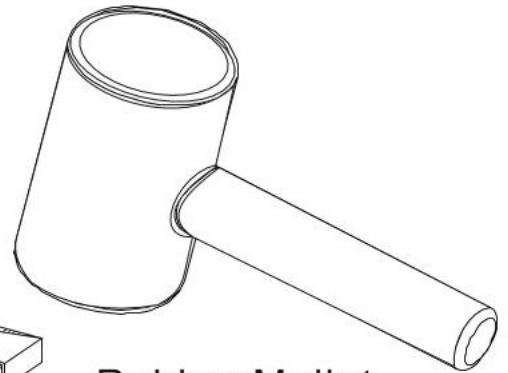
Spanner



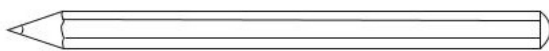
Scissors



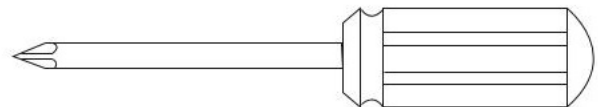
Tape measure



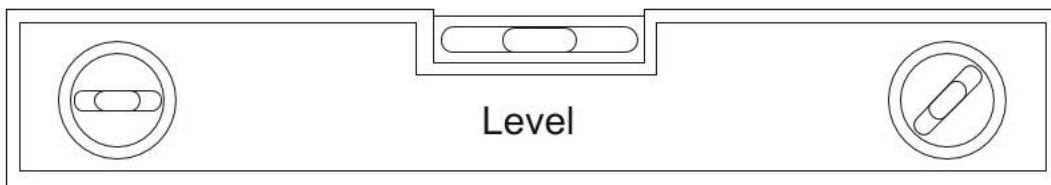
Rubber Mallet



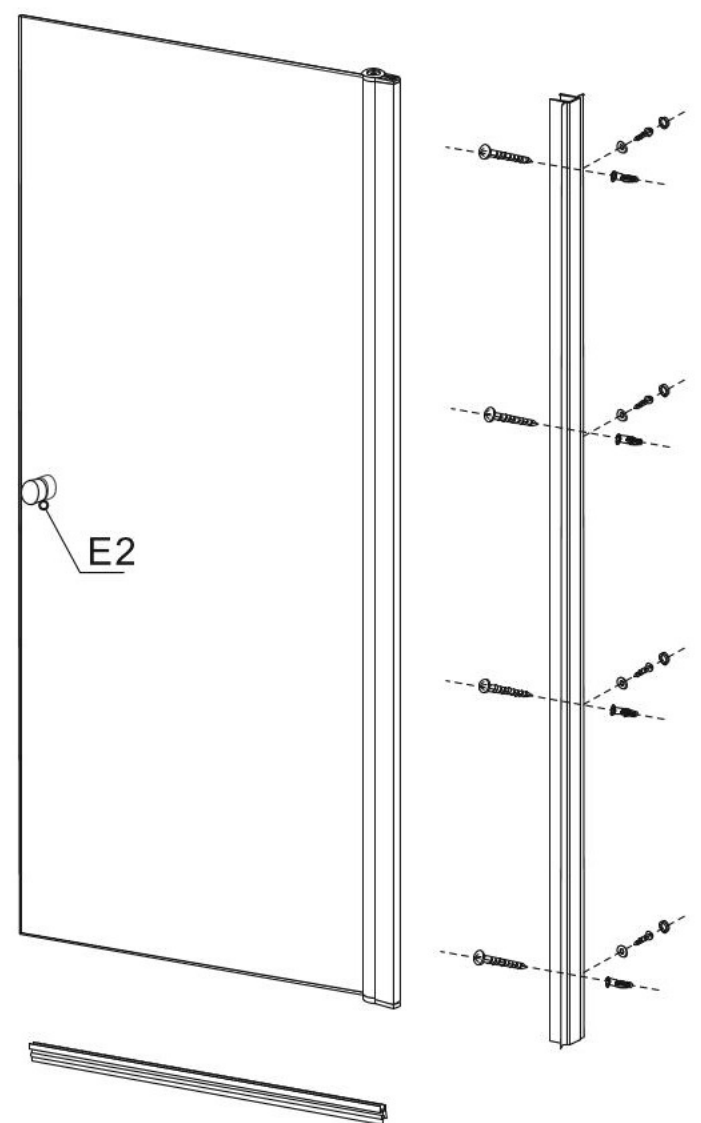
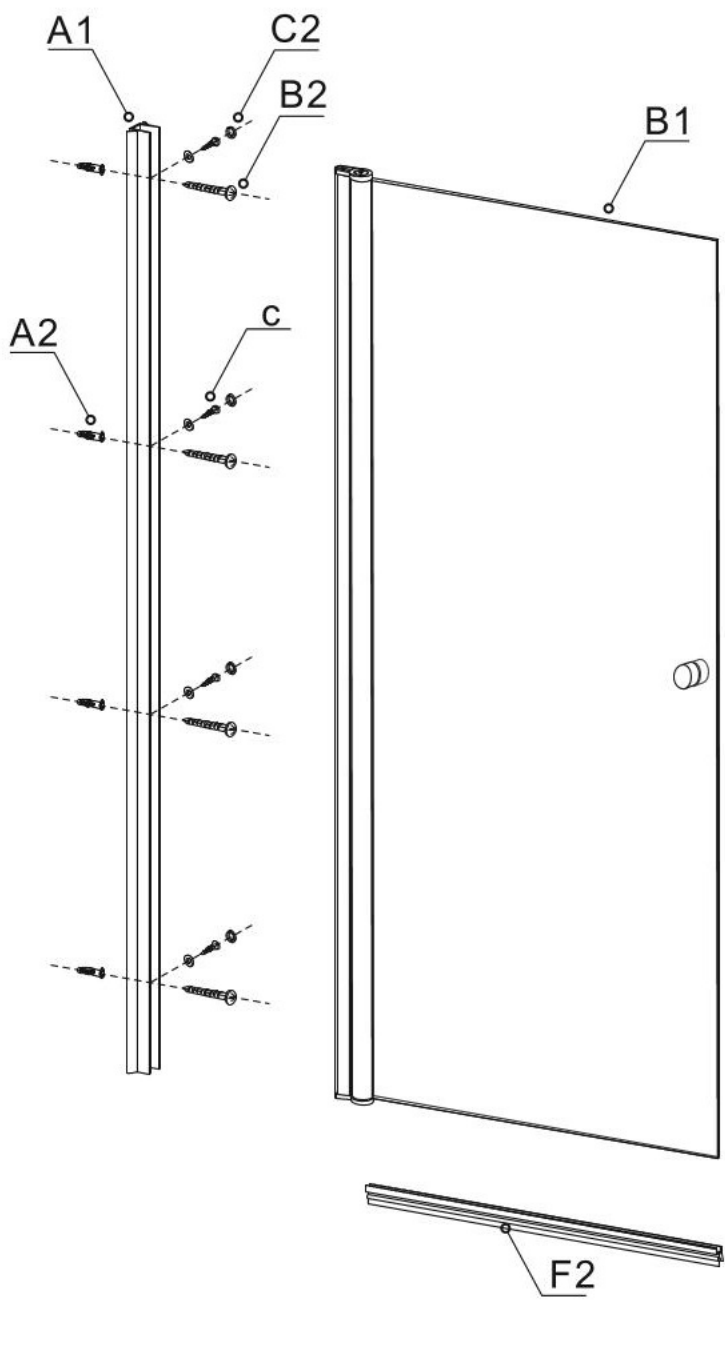
Pencil



Magnetic cross head screw driver



Level

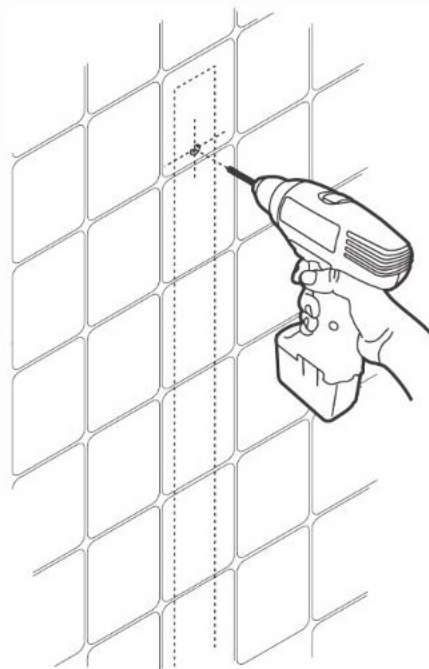
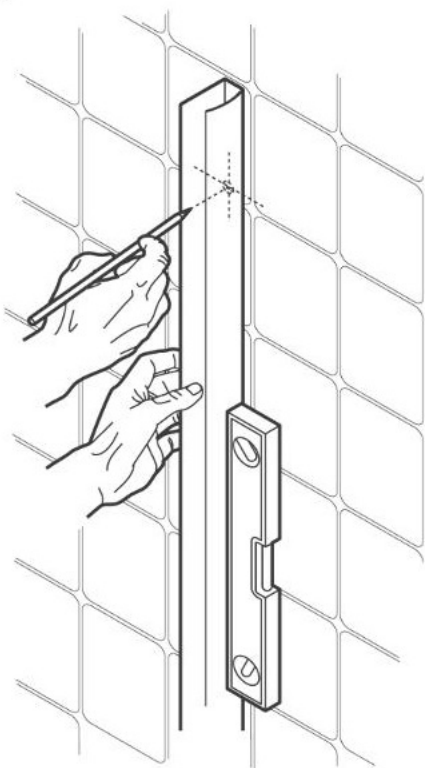


**Fixing kit includes**

Ref	Description	Qty
A1	WALL PROFILE	2
B1	FIXED GLASS	2

Ref	Description	Illustration	Qty
A2	green expandable wall plug		8
B2	4*25mm		8
C2	4*10mm		8
D2	Drill BIT 3mm		1
E2	Handle		2
F2	Breakwater profile		2

1



2

X8



4x25



