

HX-518F

Installation instructions



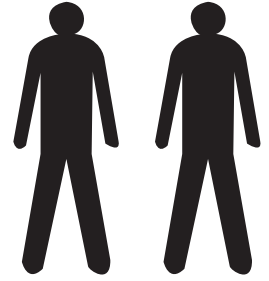
SIZE : 110*185CM
120*185CM
130*185CM
140*185CM
150*185CM

Installation instructions

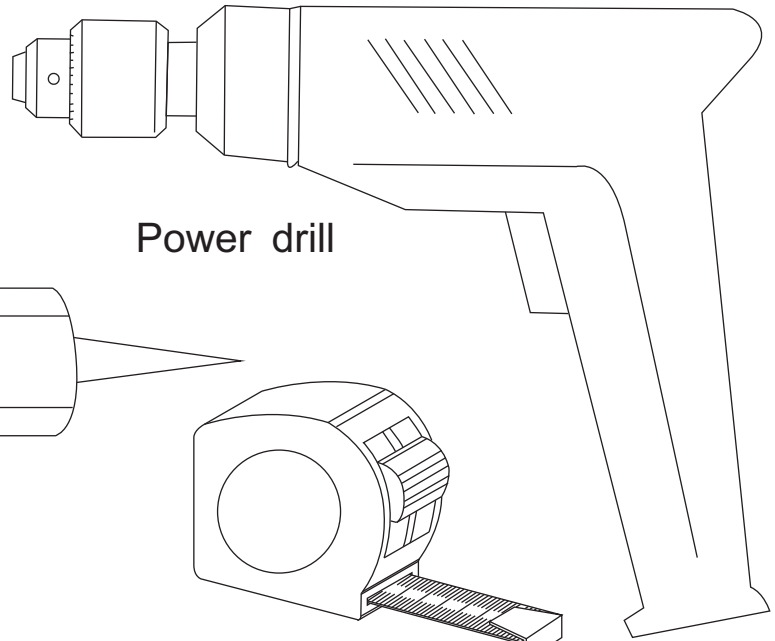
TOOLS REQUIRED(NOT SUPPLIED)

when you're ready to start,make sure that you have the following tools to hand,plenty of space and a clean dry area for assembly.

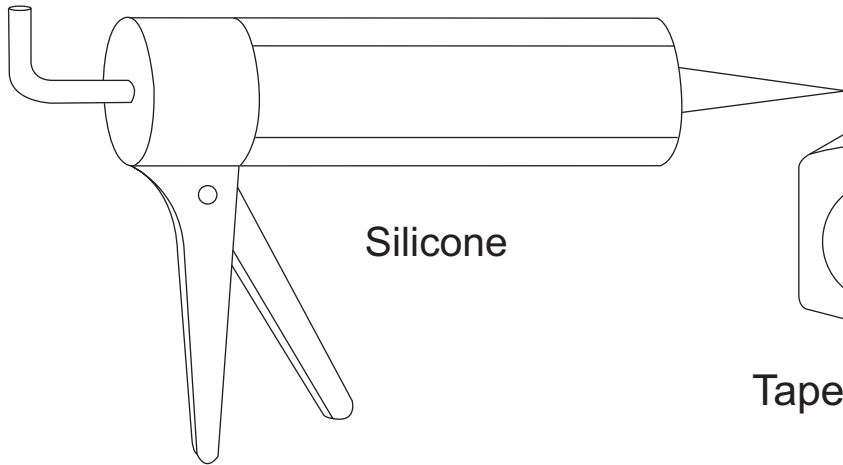
Two people are needed. Please note:although these instructions are comprehensive,We always recommend that a technically competent installer should undertake installation.



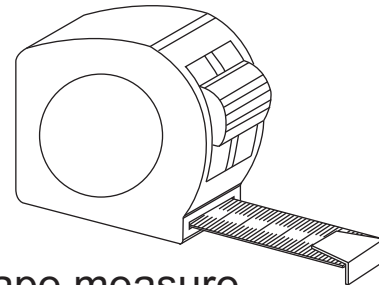
Drill bit to suit wall type
5.5mm



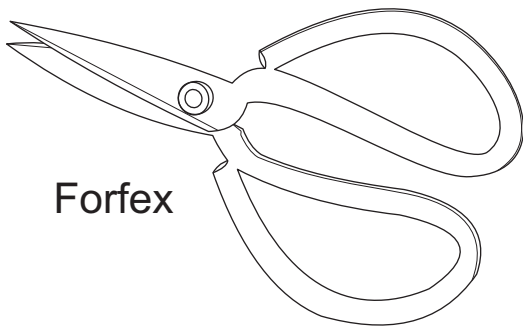
Power drill



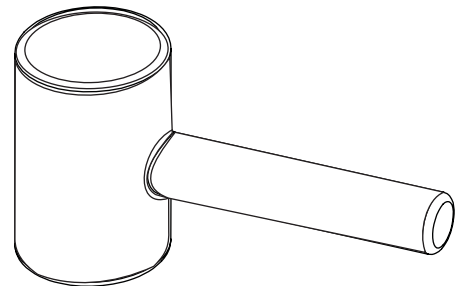
Silicone



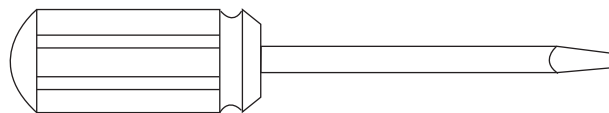
Tape measure



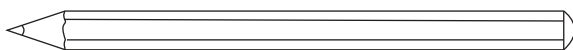
Forfex



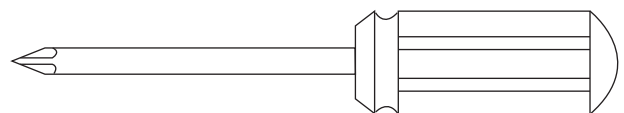
Rubber Mallet



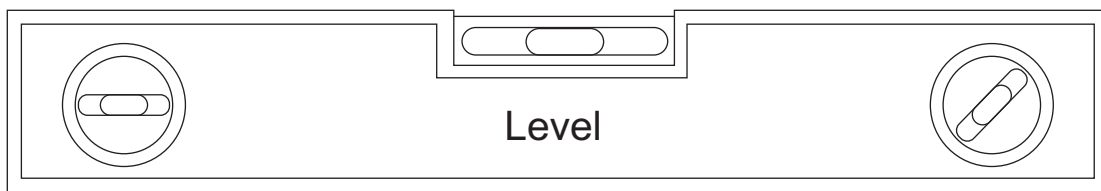
Flat Blade screwdriver



Pencil

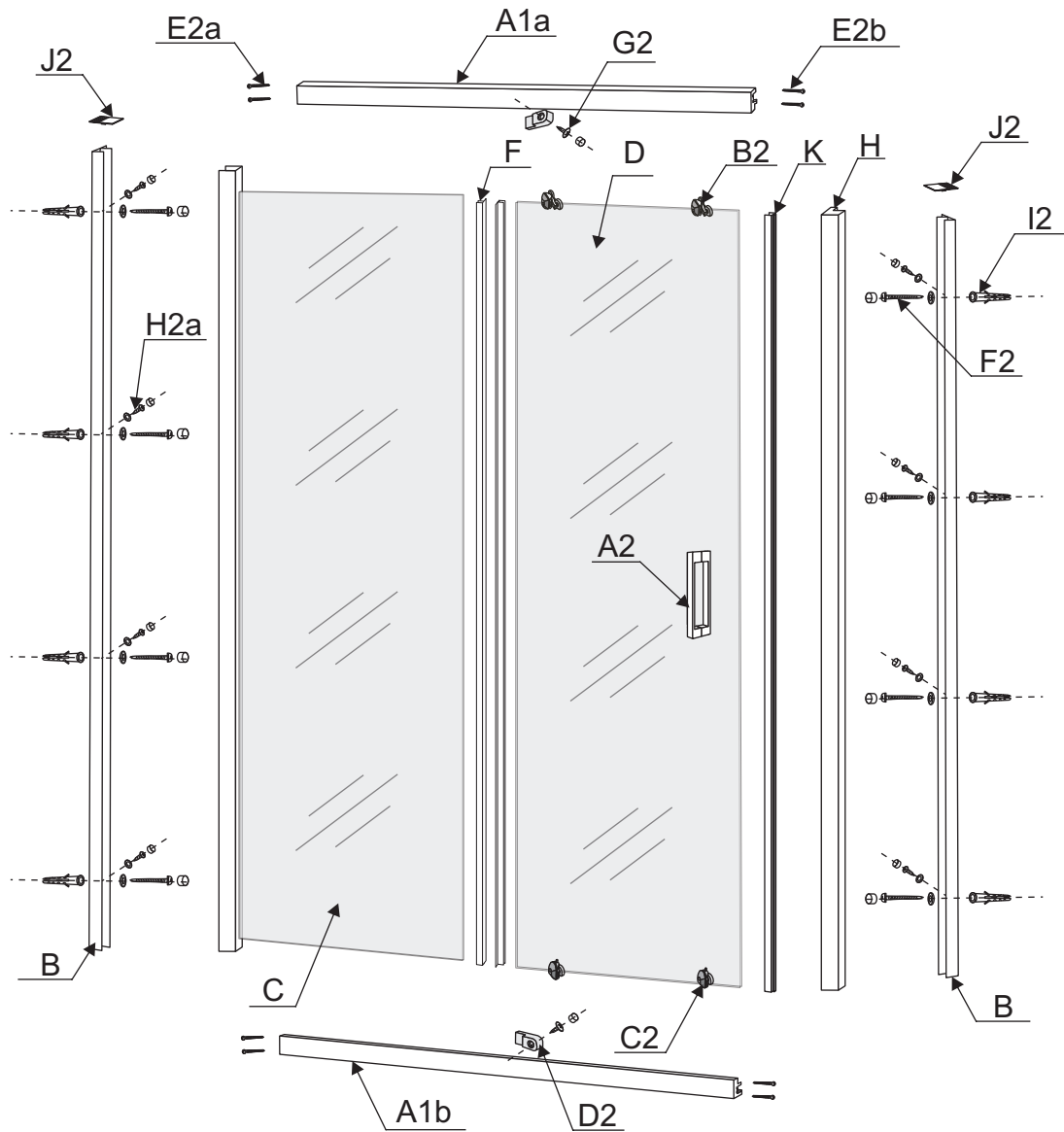


Magnetic crosshead screwdriver



Level

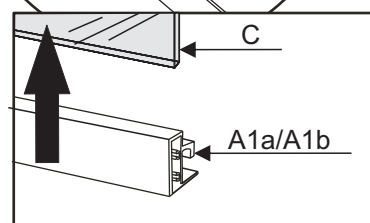
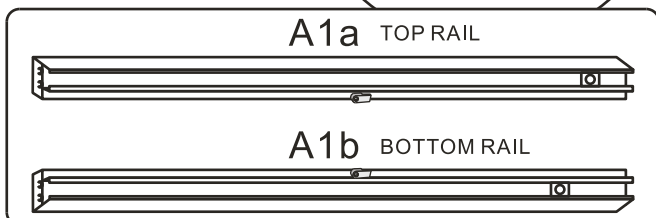
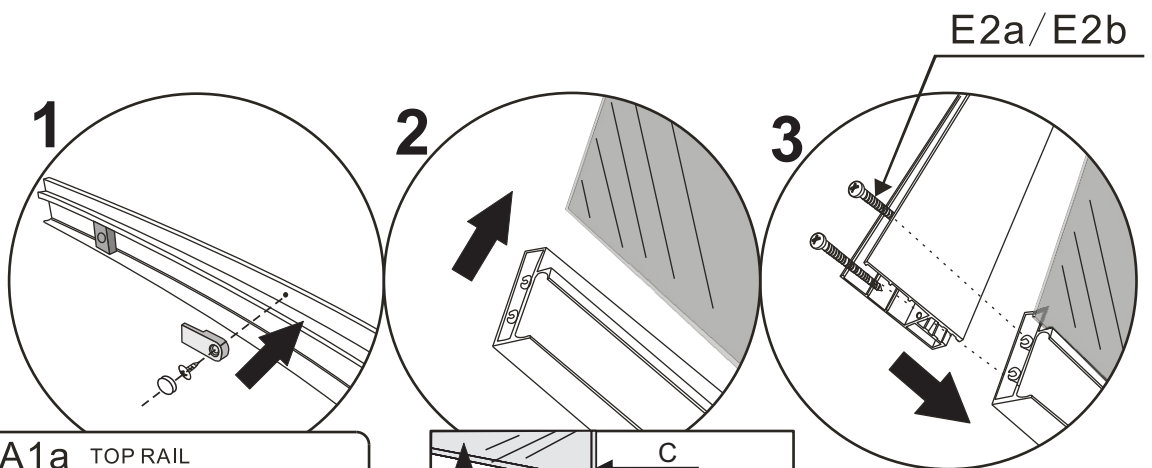
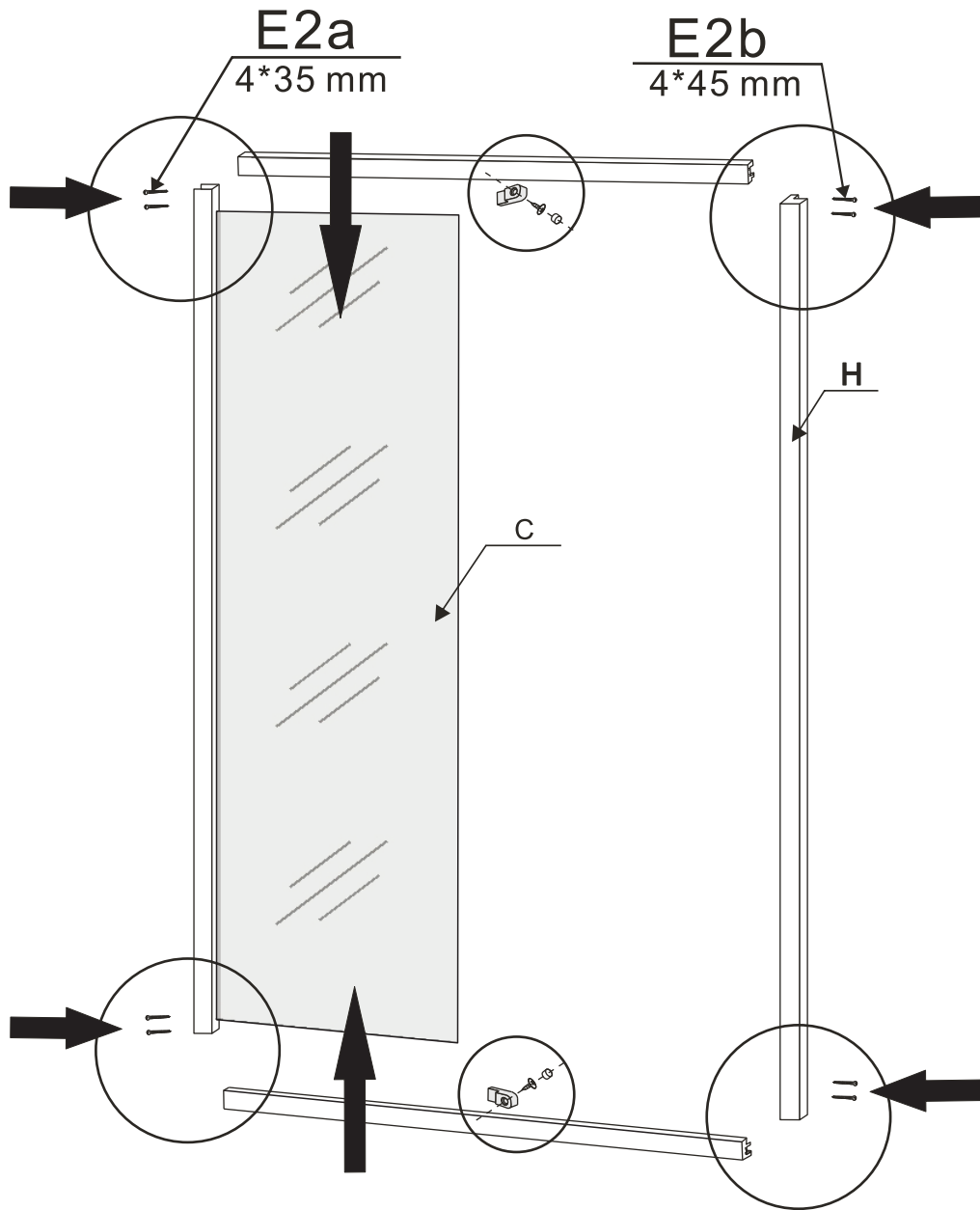
Installation instructions



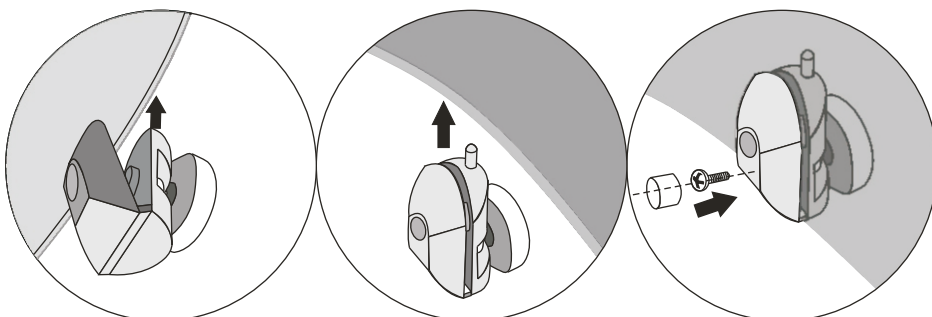
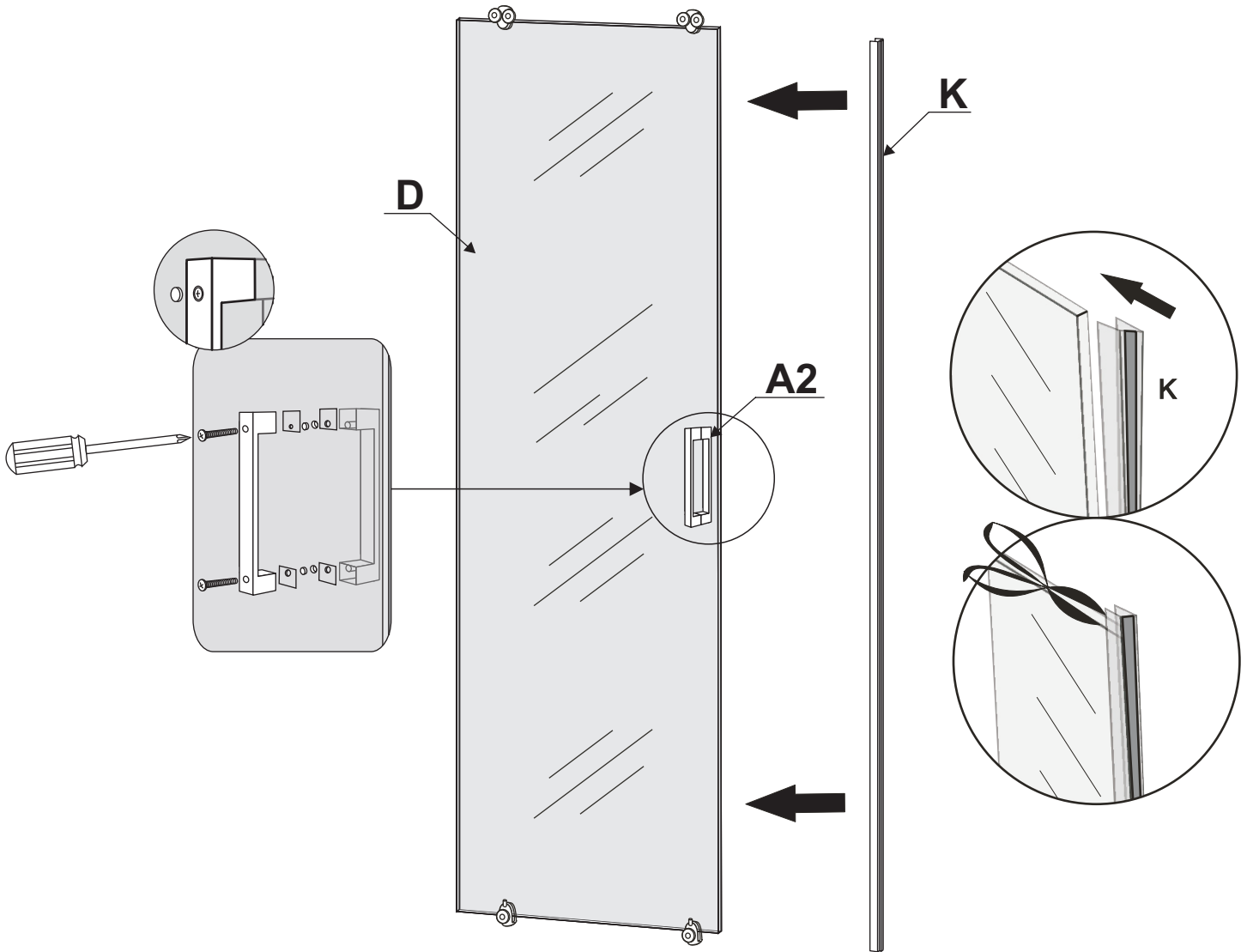
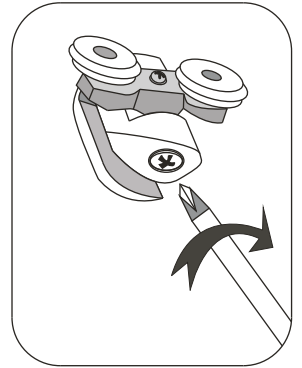
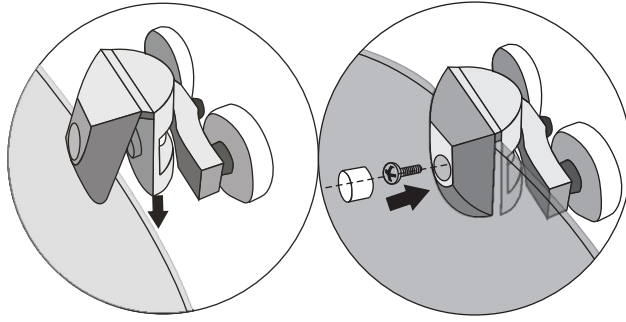
Ref	Description	Qty
A1a	TOP RAIL	1
A1b	BOTTOM RAIL	1
B	WALL PROFILE	2
C	FIXED DOOR	1
D	SLIDING DOOR	1
F	VERTICAL SEAL	2
H	SLIDING GLASS PROFILE	1
K	MAGNETIC DOOR SEAL	1

Ref	Description	Illustration	Qty
A2	handle		1
B2	top roller		2
C2	bottom roller		2
D2	u-shaped clip and cover cap		2
E2a	stainless steel screws: 3.5*35		4
E2b	stainless steel screws: 4*45		4
F2	stainless steel screws: 4*25		8
G2	stainless steel screws: 4*10		2
H2a	stainless steel screws: 4*10		8
I2	expandable wall plug		8
K2	3mm Drill bit		1
J2	profile cap		2

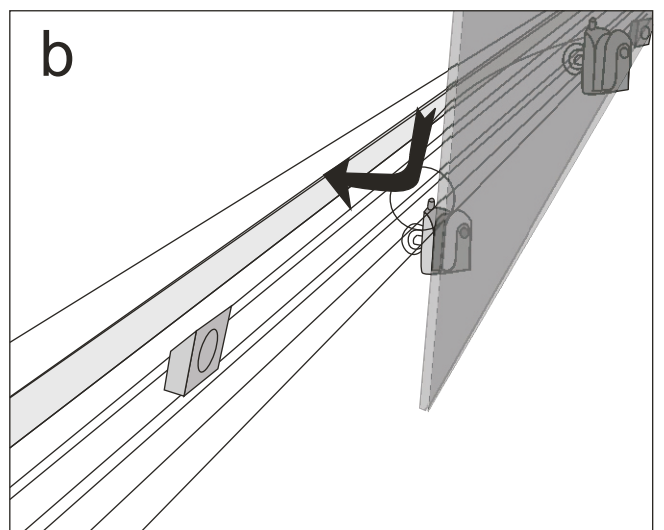
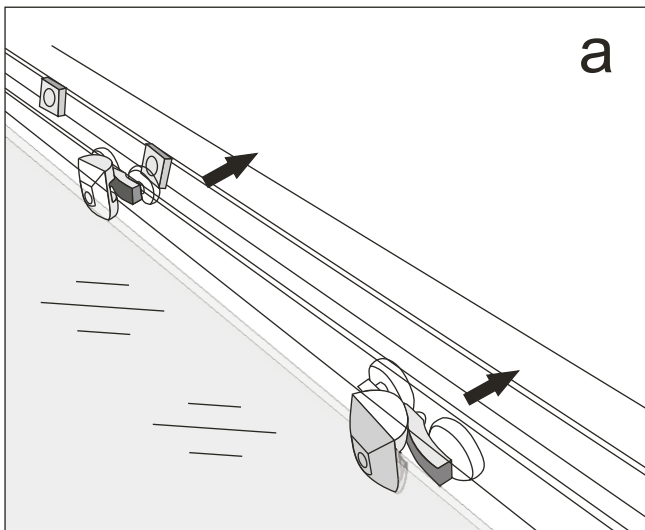
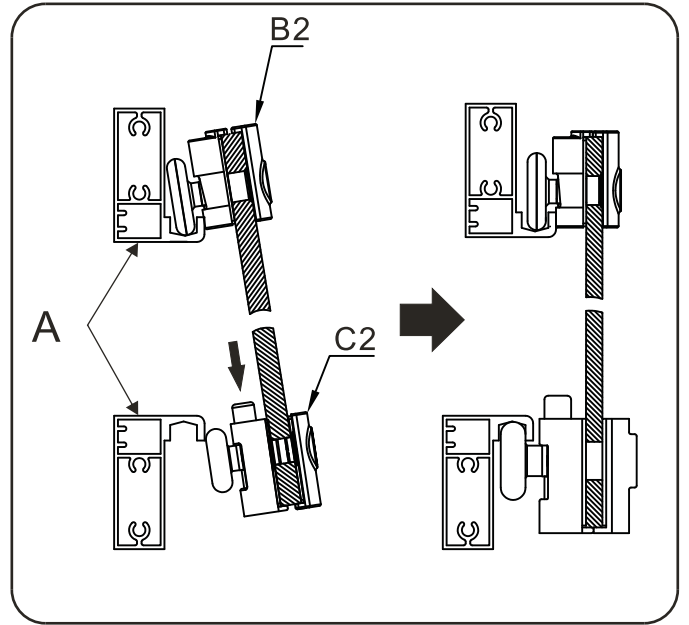
Installation instructions



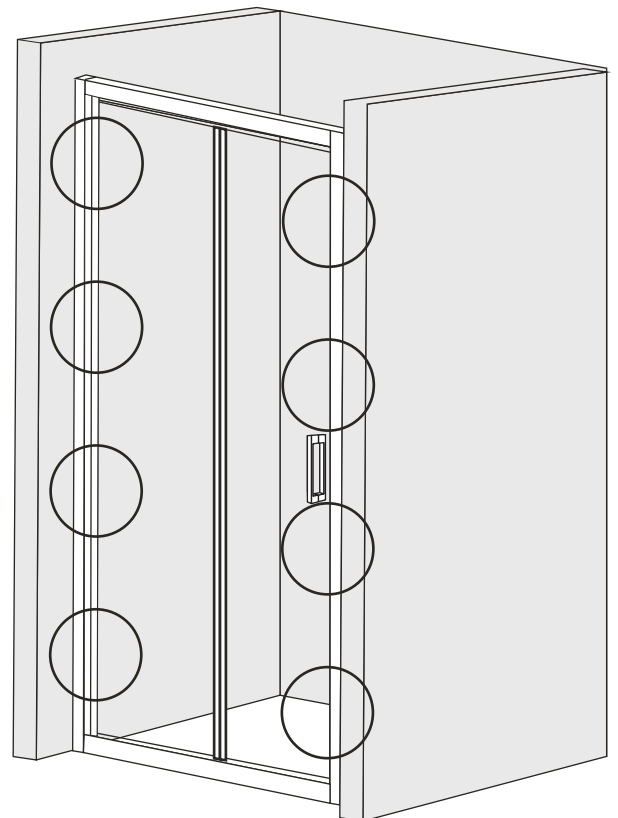
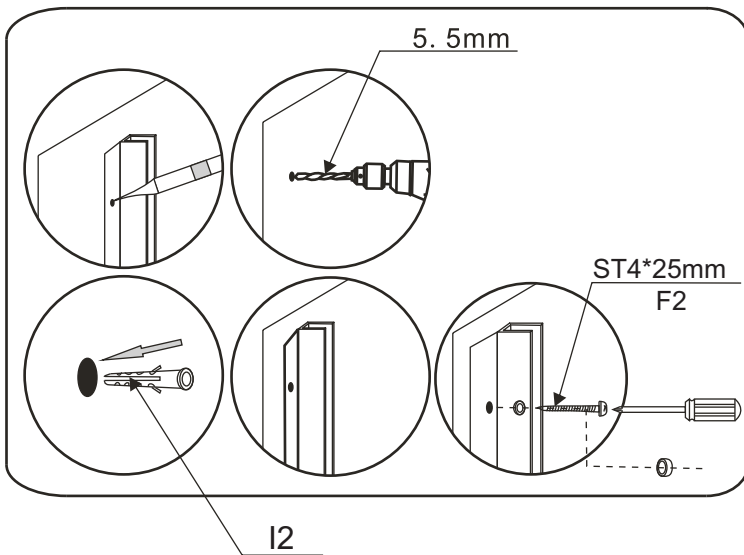
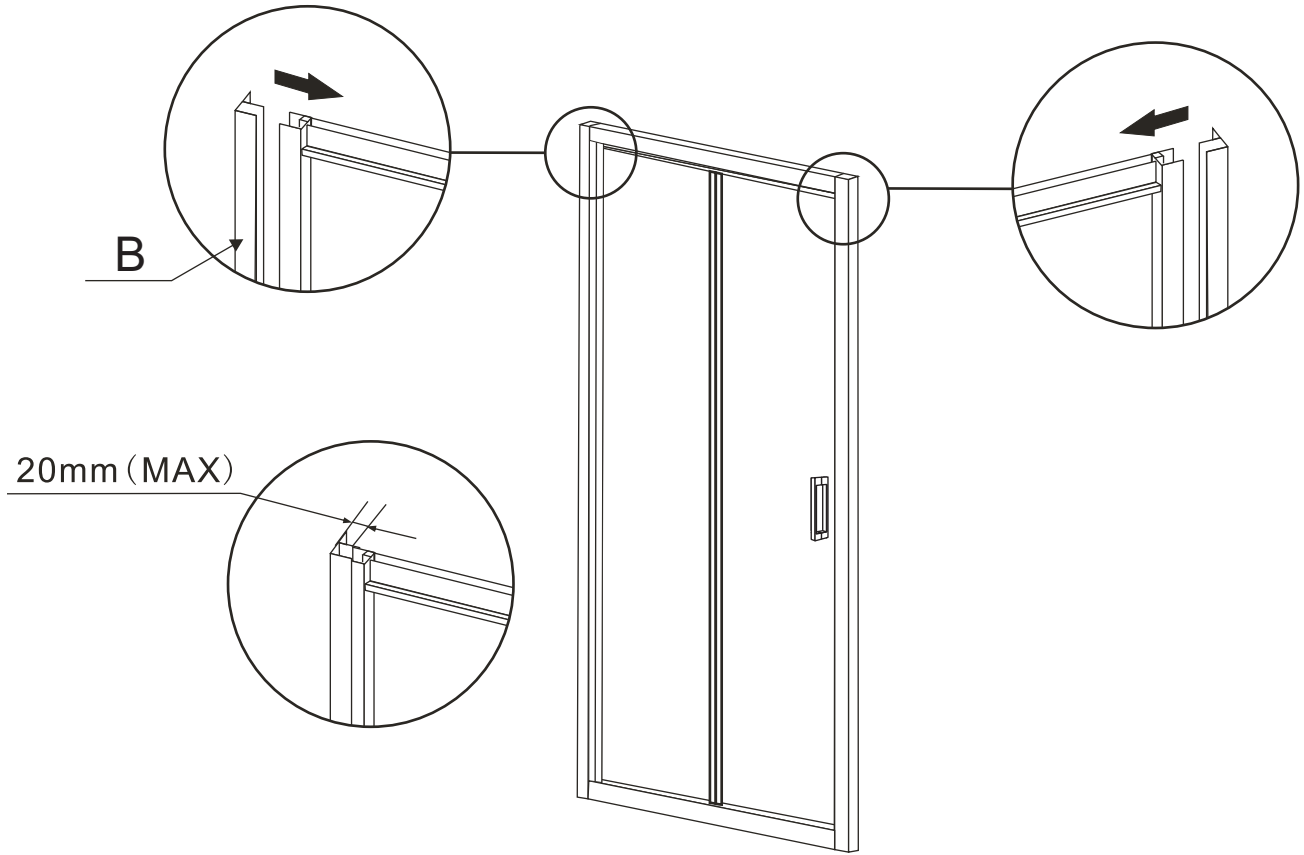
Installation instructions



Installation instructions



Installation instructions



Installation instructions

