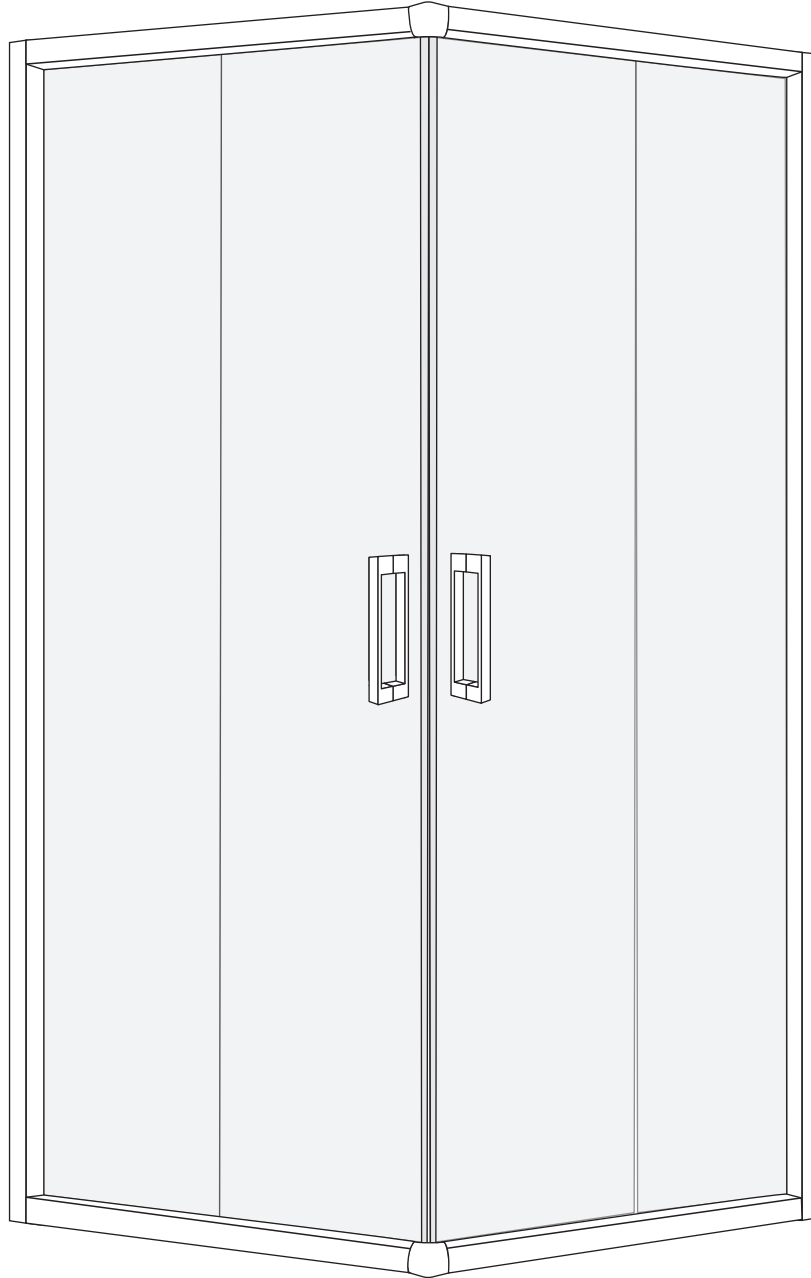


HX-517F

Installation instructions



SIZE : 80*80*195 CM

90*90*195 CM

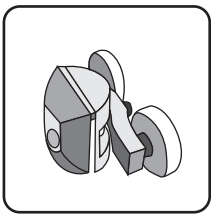
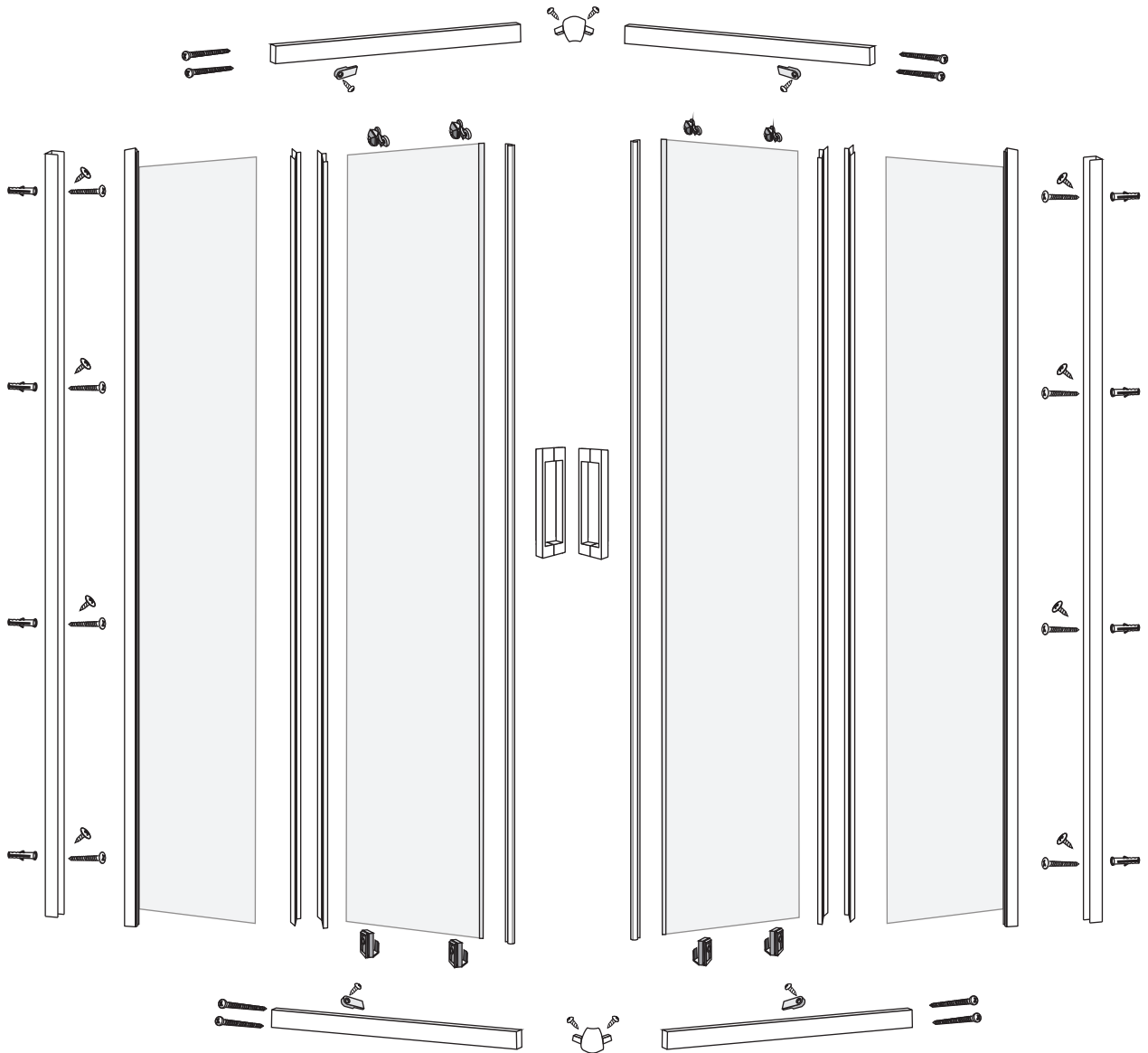
70*90*195 CM

80*100*195 CM

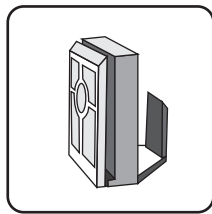
80*120*195 CM

HX-517F

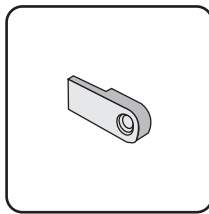
Installation instructions



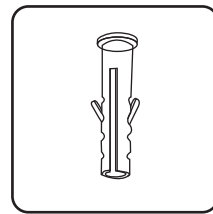
4PCS



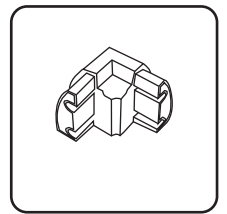
4PCS



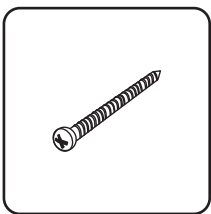
4PCS



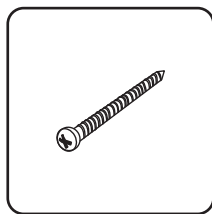
8PCS



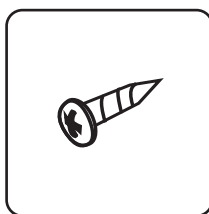
2PCS



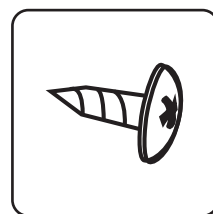
4x45mm
8PCS



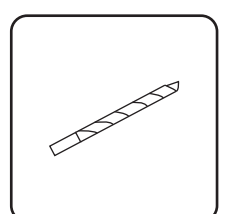
4x25mm
8PCS



4x14mm
8PCS



4x10mm
8PCS



3mm

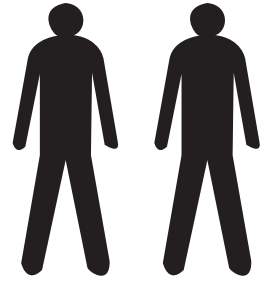
HX-517F

Installation instructions

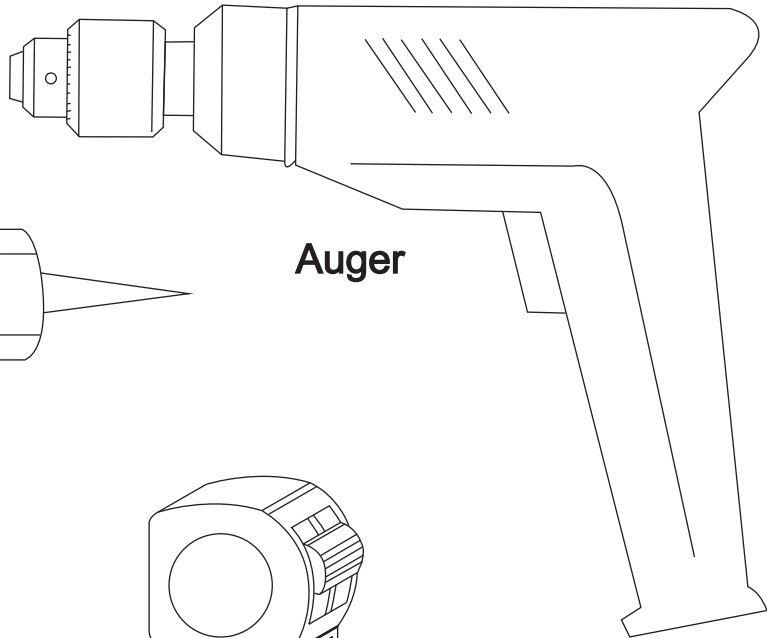
TOOLS REQUIRED(NOT SUPPLIED)

when you're ready to start,make sure that you have the following tools to hand,plenty of space and a clean dry area for assembly.

Two people are needed. Please note:although these instructions are comprehensive,We always recommend that a technically competent installer should undertake installation.

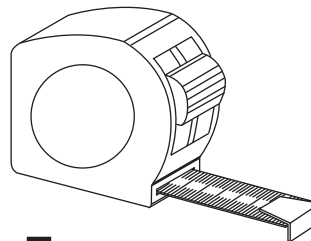
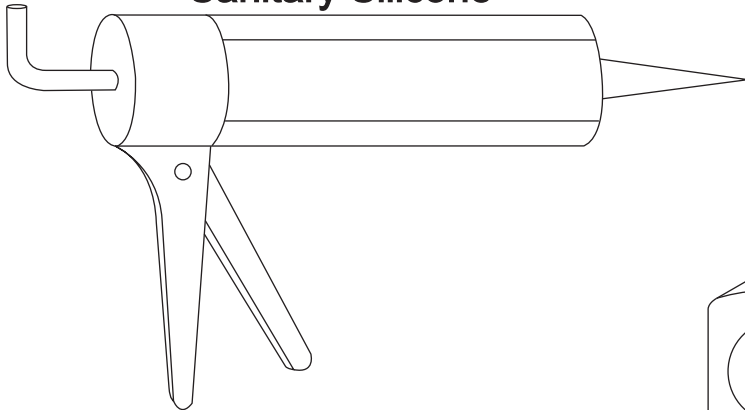


Drill beat head
4mm

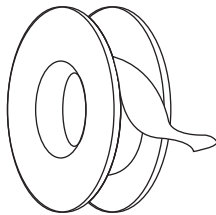


Auger

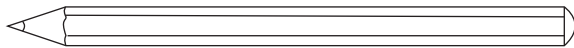
Sanitary Silicone



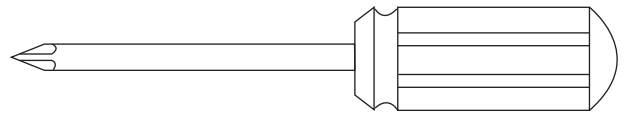
Tape measure



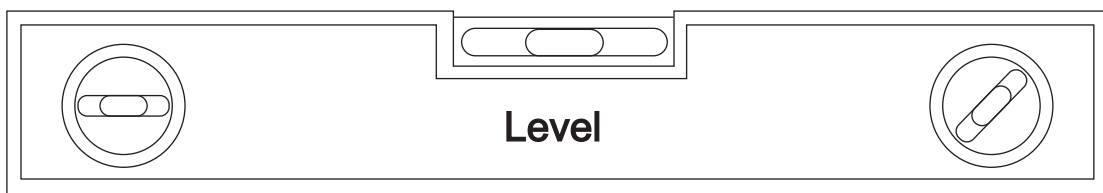
PTFE tape



Pencil



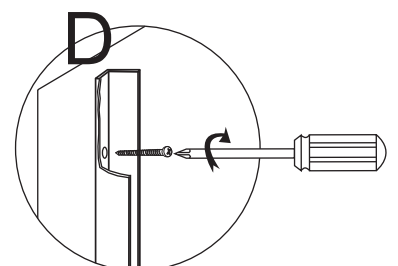
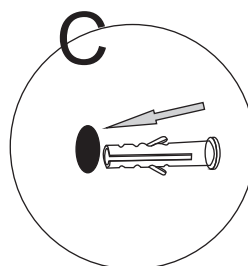
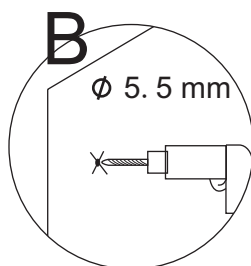
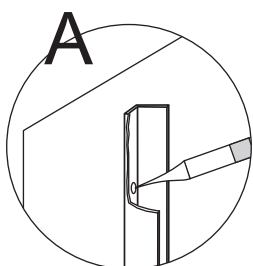
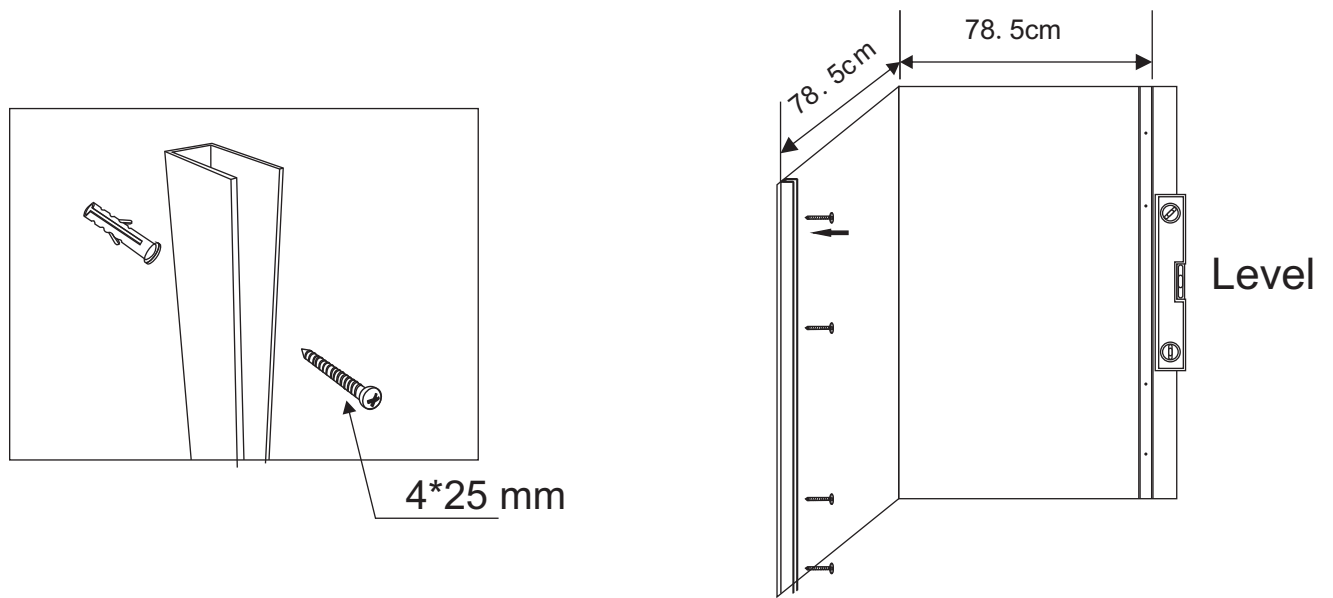
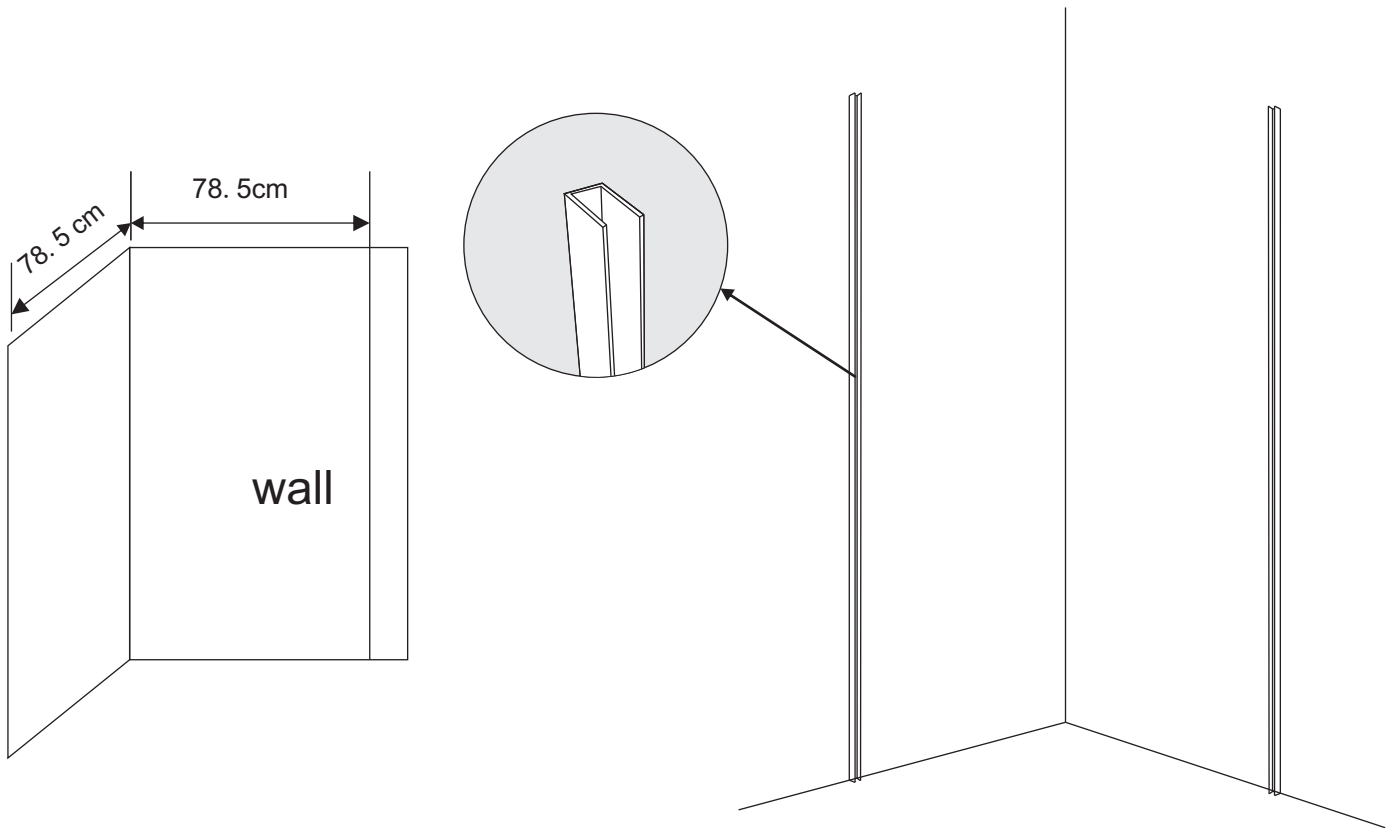
Magnetic crosshead screwdriver



Level

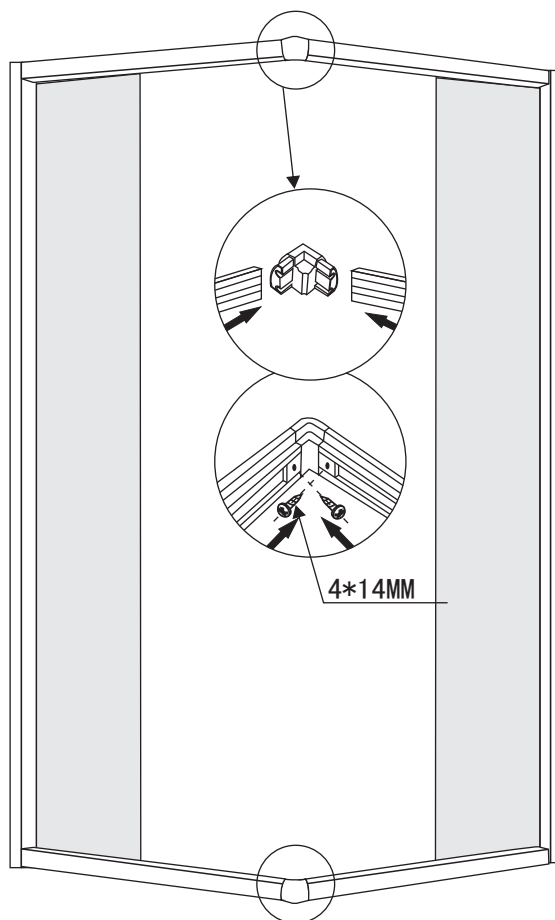
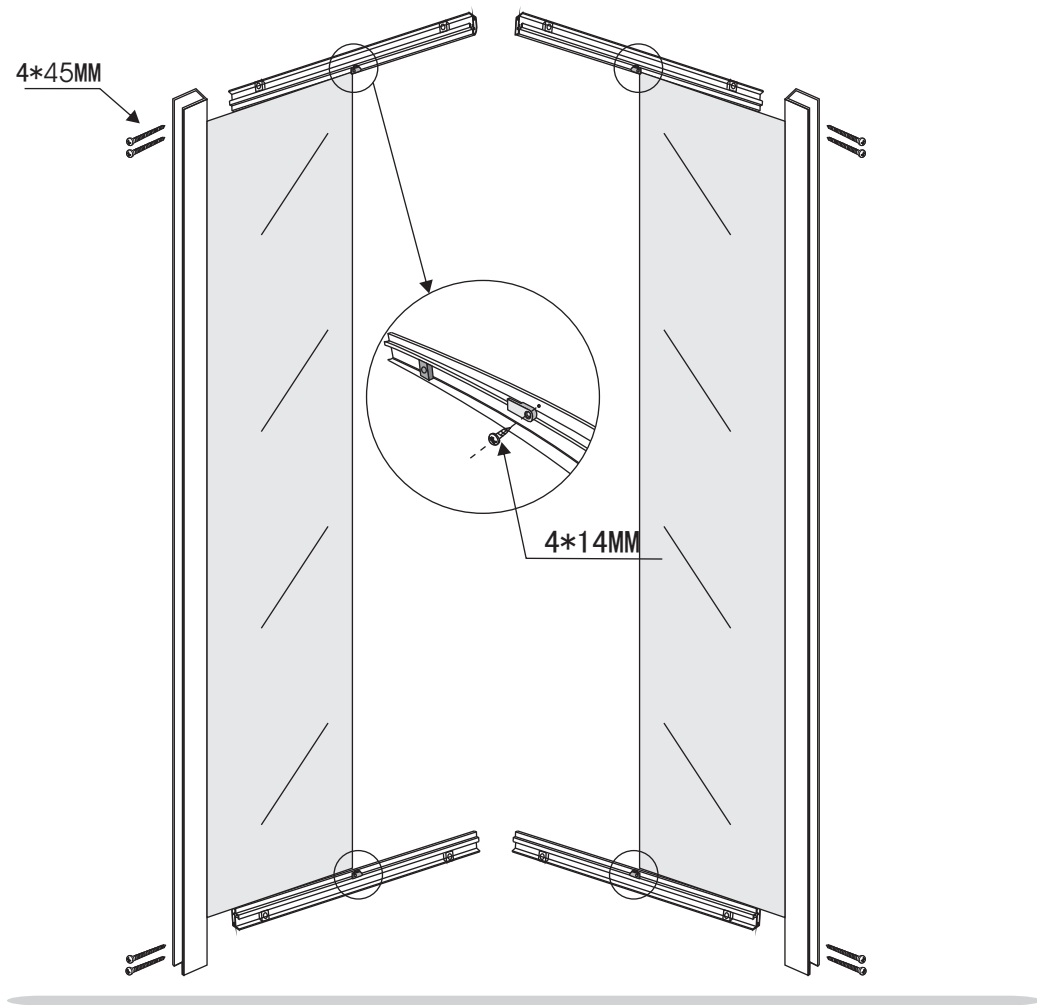
HX-517F

Installation instructions



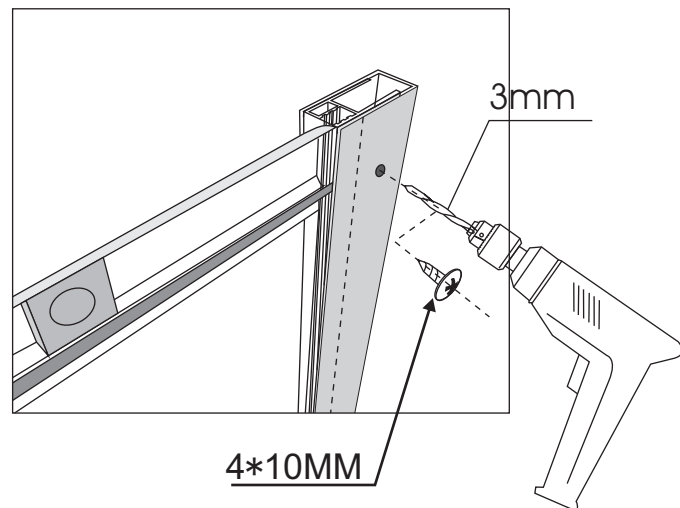
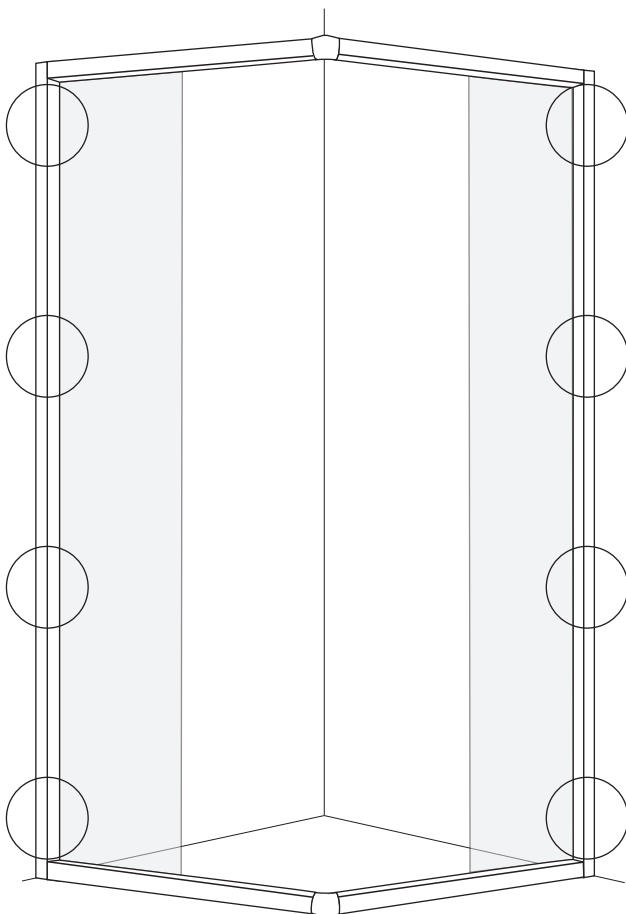
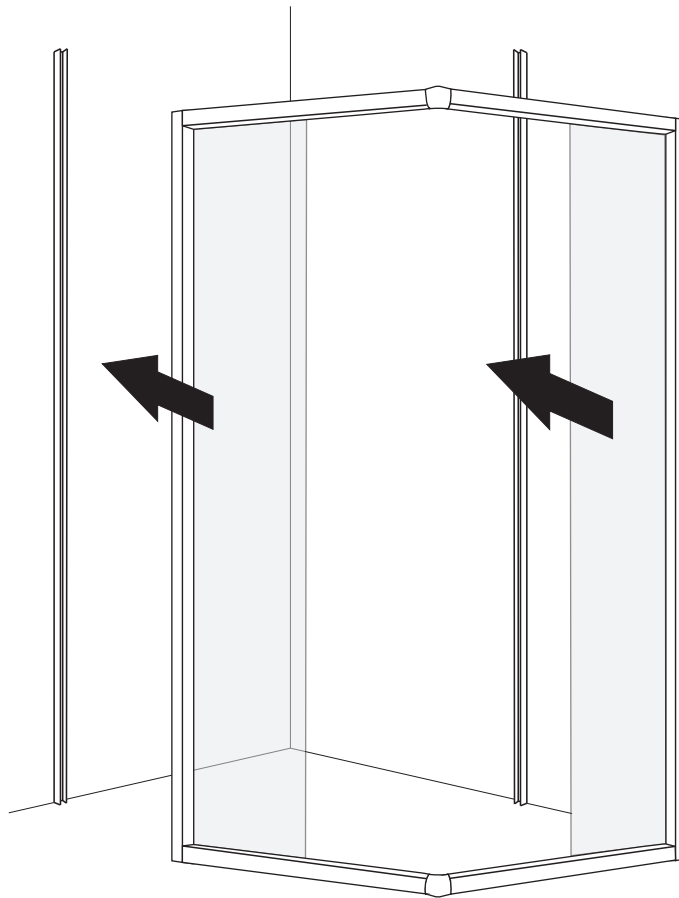
HX-517F

Installation instructions



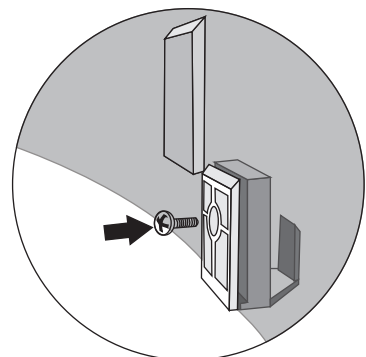
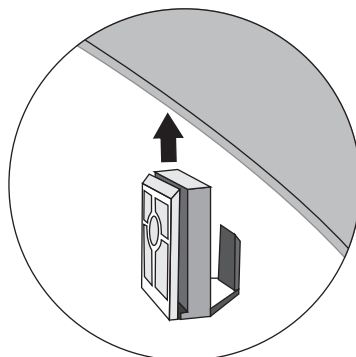
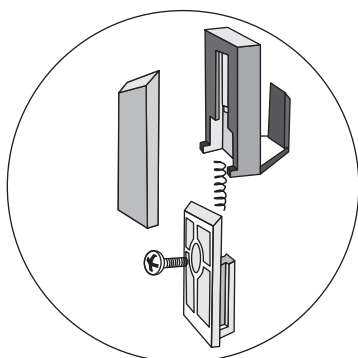
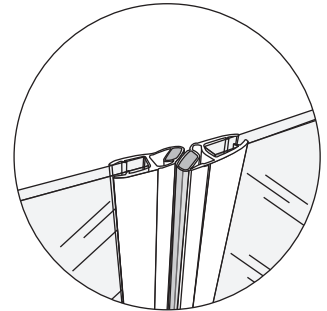
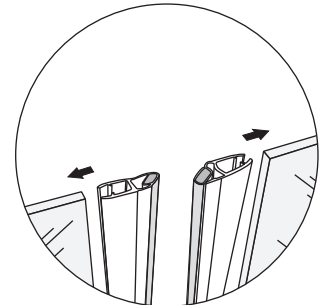
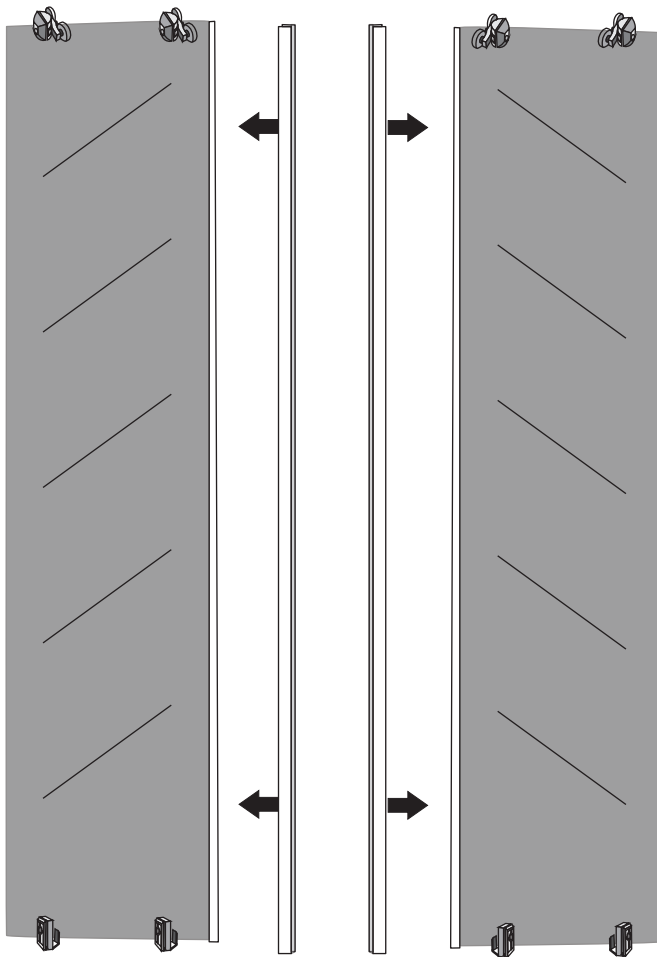
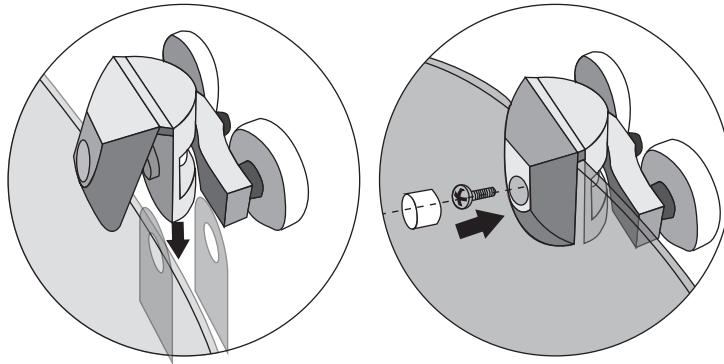
HX-517F

Installation instructions



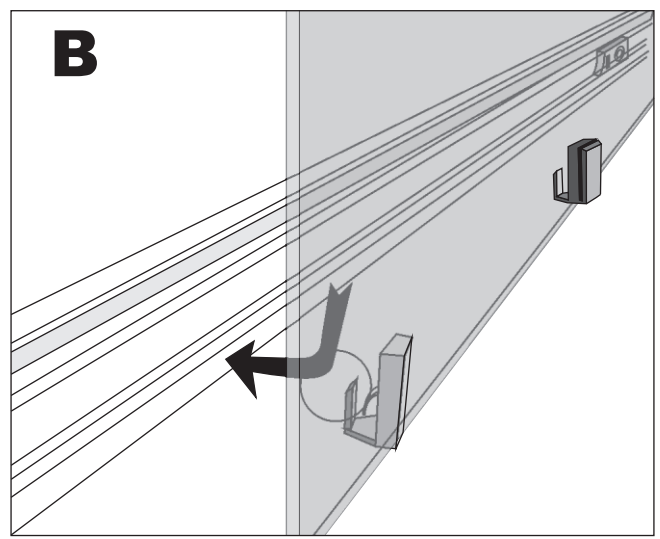
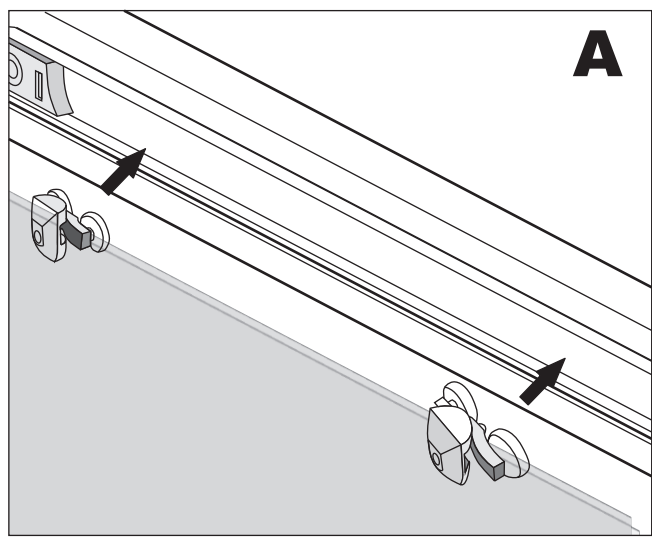
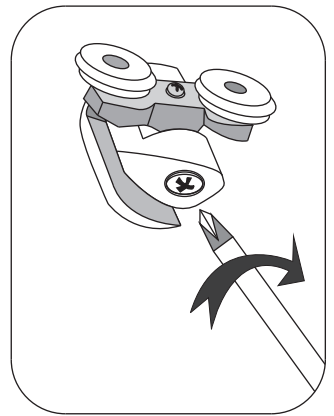
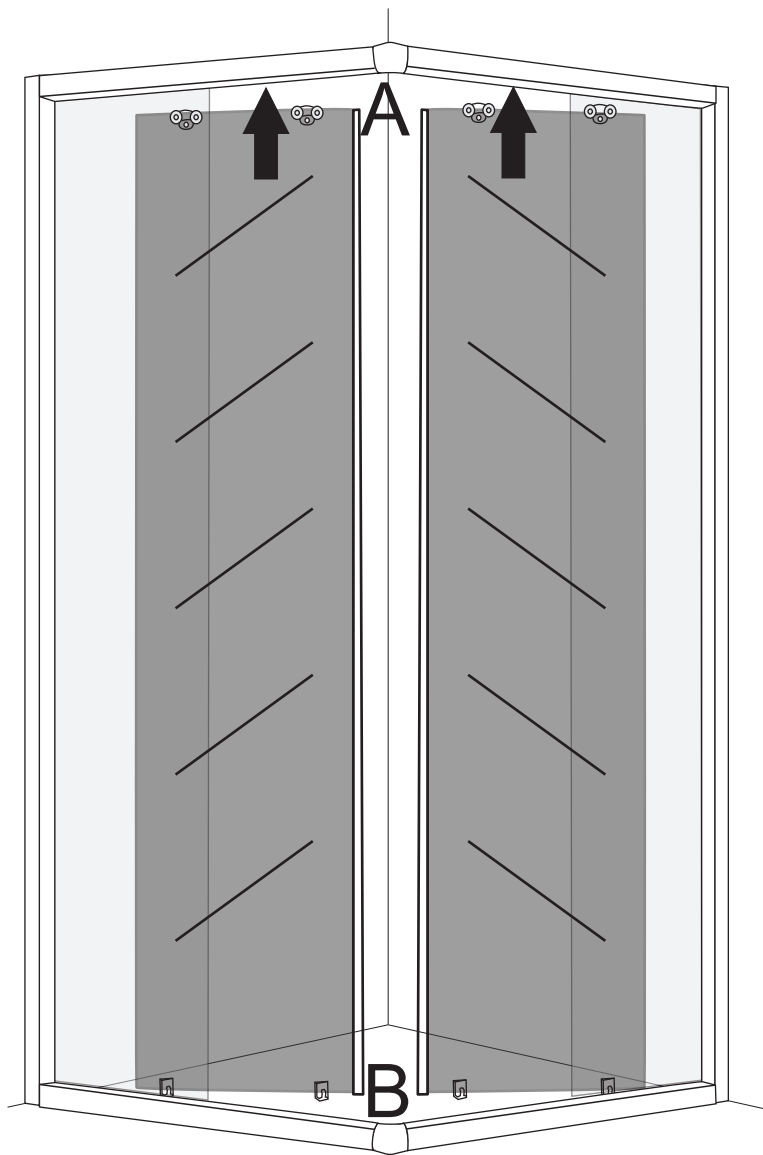
HX-517F

Installation instructions



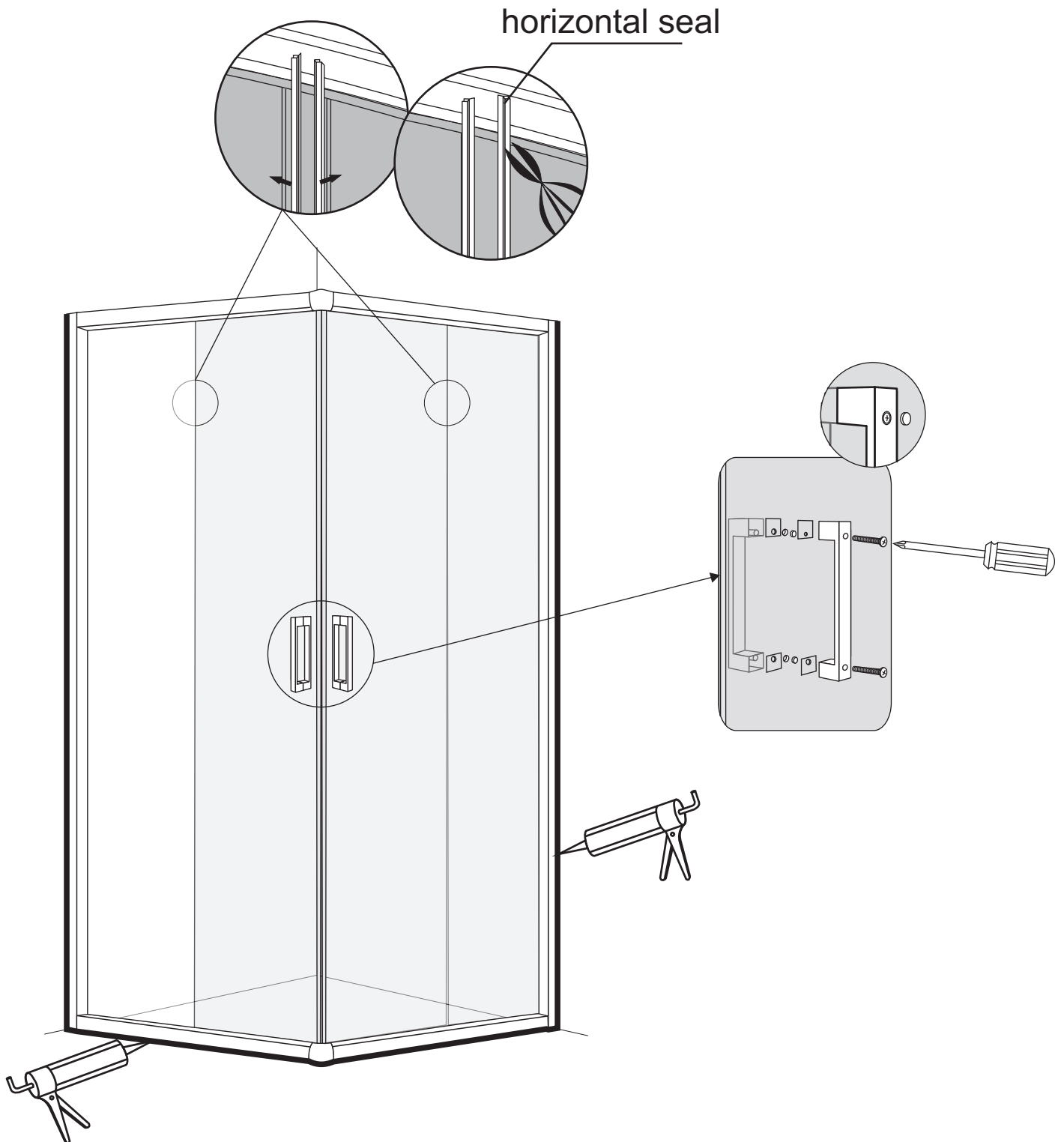
HX-517F

Installation instructions



HX-517F

Installation instructions



Warning: Don't use the shower enclosure until after at least 24 hours, so that the silica gel can be totally dry.

